

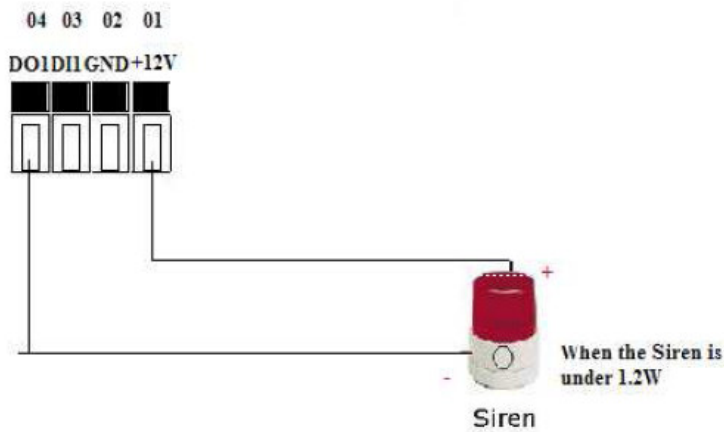
PLANET ICA-750

CAMERA EXTERNAL I/O APPLICATION NOTE

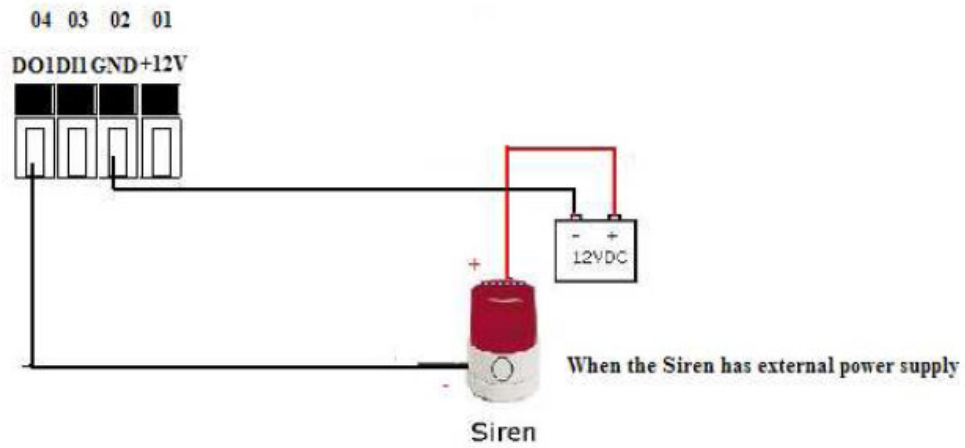
PinNo	Function	Description
1	+12V	OUTPUT (Max.100mA, +12VDC)
2	GND	SYSTEM GND
3	DI1	INPUT (Max +12V~+3VDC), ACTIVE HIGH
4	DO1	OUTPUT (Max.1A)
5	DI2	INPUT (Max +12V~+3VDC), ACTIVE HIGH
6	DO2	OUTPUT (Max.1A)
7	GND	SYSTEM GND
8	+12V	OUTPUT (Max 100mA, +12VDC)

Example:

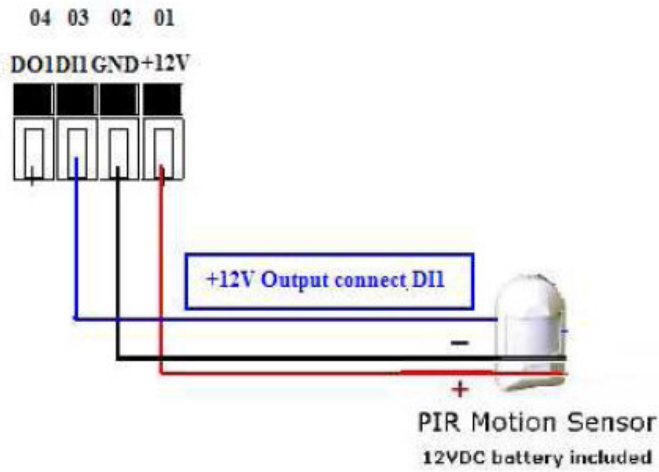
1.DOx With+12V Application



2.DOx Witch External Power Supply Application



3.DIx Witch +12V Application



4.DIx With External Power Supply Application

