

**10/100/1000Mbps  
Gigabit Ethernet Switch**

**GSW-2401/GSW-1601**

**User's Manual**

## **Trademarks**

Copyright © PLANET Technology Corp. 2005.

Content subjects to revision without prior notice.

PLANET is a registered trademark of PLANET Technology Corp.

All other trademarks belong to their respective owners.

## **Disclaimer**

PLANET Technology does not warrant that the hardware will work properly in all environments and applications, and makes no warranty and representation, either implied or expressed, with respect to the quality, performance, merchantability, or fitness for a particular purpose.

PLANET has made every effort to ensure that this User's Manual is accurate; PLANET disclaims liability for any inaccuracies or omissions that may have occurred.

Information in this User's Manual is subject to change without notice and does not represent a commitment on the part of PLANET. PLANET assumes no responsibility for any inaccuracies that may be contained in this User's Manual. PLANET makes no commitment to update or keep current the information in this User's Manual, and reserves the right to make improvements to this User's Manual and/or to the products described in this User's Manual, at any time without notice.

If you find information in this manual that is incorrect, misleading, or incomplete, we would appreciate your comments and suggestions.

## **FCC Warning**

This equipment has been tested and found to comply with the limits for a Class A digital device, pursuant to Part 15 of the FCC Rules. These limits are designed to provide reasonable protection against harmful interference when the equipment is operated in a commercial environment. This equipment generates, uses, and can radiate radio frequency energy and, if not installed and used in accordance with the Instruction manual, may cause harmful interference to radio communications. Operation of this equipment in a residential area is likely to cause harmful interference in which case the user will be required to correct the interference at its own expense.

## **CE Mark Warning**

This is a Class A product. In a domestic environment, this product may cause radio interference, in which case the user may be required to take adequate measures.

## **Revision**

PLANET Gigabit Ethernet Switch User's Manual

FOR MODELS: GSW-2401/GSW1601

Rev: 1.0(May.2005)

Part No.: 2010-A50140-000

# 1. INTRODUCTION

## 1.1 Package Contents

**Check the contents of your package for following parts:**

- Gigabit Ethernet Switch x 1
- User's manual x 1
- Power cord x 1
- Rack ear x 2
- Screws x 6
- Rubber feet x 4

If any of these are missing or damaged, please contact your dealer immediately, if possible, retain the carton including the original packing material, and use them against to repack the product in case there is a need to return it to us for repair.

## 1.2 How to Use This Manual

**This Gigabit Ethernet Switch User Manual is structured as follows:**

### **Chapter 2 Installation**

The chapter explains the feature, functionality and the physical installation of the Switch.

### **Chapter 3 Switch operation**

The chapter explains the Gigabit Ethernet Switch transmit operation.

### **Chapter 4 Troubleshooting**

The chapter explains the troubleshooting of the Gigabit Ethernet Switch.

## **Appendix A**

This chapter contains cable information of the Gigabit Ethernet Switch.

### **1.3 Product Features**

- Complies with IEEE802.3, 10Base-T, IEEE802.3u 100Base-TX, IEEE802.3ab 1000Base-T
- 16/24-Port 10/100/1000Mbps Gigabit Ethernet ports
- Features Store-and-Forward mode with wire-speed filtering and forwarding rates
- Hardware based 10/100Mbps, half/full duplex and 1000Mbps full duplex mode, flow control and auto-negotiation
- IEEE802.3x flow control for full duplex operation and Backpressure for half duplex operation
- Integrated address look-up engine, support 8K absolute MAC addresses
- Provide 272/400KB buffer memory
- 9K Jumbo packet support
- Automatic address learning and address aging
- Supports Auto MDI/MDI-X function
- Support CSMA/CD protocol
- 100~240VAC, 3.0A, 50~60Hz universal Power input
- FCC, CE class A compliant

## 1.4 Product Specifications

Model	GSW-2401	GSW-1601
<b>Hardware Specification</b>		
Network Ports	24 10/100/1000Base-T RJ-45 MDI/MDI-X ports	16 10/100/1000Base-T RJ-45 MDI/MDI-X ports
Dimensions (W x H x D)	440 x 44 x 120 mm	
Weight (KG)	1.75 KG	1.6 KG
Power Requirement	100~240 VAC, 3.0A, 50-60 Hz	
<b>Switch Specification</b>		
Switch Architecture	Store-and-forward	
Address Table	8K entries, auto learning/ageing	
Shared Data Buffer	400KB	272KB
Flow Control	IEEE 802.3x full duplex operating and flow control	
Packet Control	Runt & CRC filtering, Broadcast storm control	
Switch Fabric	48Gbps	16Gbps
Switch Throughput	35.7Mbps	23.8Mbps
<b>Standard Conformance</b>		
Network Standards	IEEE 802.3 (Ethernet), IEEE 802.3u (Fast Ethernet) IEEE 802.3ab and IEEE802.3x (flow control)	
Operation Temperature	0~50°C 10% to 90% (Non-condensing)	
Humidity	-40~70°C	
Regulation Compliance	FCC, CE	

## 2. INSTALLATION

This section describes the functionalities of the Gigabit Ethernet Switch's components and guides how to install it on the desktop. Basic knowledge of networking is assumed. Please read this chapter completely before continuing.

### 2.1 Product Description

The PLANET GSW-2401/GSW-1601 is 10/100/1000Mbps Gigabit Ethernet switch with 24/16 ports respectively, and non-blocking wire-speed performance. With a 48/32Gbps internal switching fabric, the GSW-2401/GSW-1601 can handle extremely large amounts of data in a secure topology linking to a backbone or high capacity servers. The GSW-2401/GSW-1601 has 8K MAC Address table and provides 400KB/272KB buffer memory. The GSW-2401/GSW-1601 offers wire-speed packets transfer performance without risk of packet loss. The high data throughput of GSW-2401/GSW-1601 makes it ideal for most Gigabit environments, especially while network upgrades to a Gigabit environment.

All RJ-45 copper interfaces support 10/100/1000Mbps Auto-Negotiation for optimal speed detection through RJ-45 Category 6, 5 or 5e cables. Support is standard for Auto-MDI/MDI-X that can detect the type of connection to any Ethernet device without requiring special straight or crossover cables.

The Flow Control function allows your Gigabit switch supported routers and servers to directly connect to this switch for fast, reliable data transfer.

### 2.1.1 Product Overview

The PLANET GSW-2401 and GSW-1601 are Gigabit Ethernet switches with 24/16 RJ-45 10/100/1000 Mbps ports for high-speed network connectivity. The switches can also automatically identify and determine the correct transmission speed and half/full duplex mode of the attached devices with its 24/16 ports. The Gigabit port with jumbo frame feature supported, can handle extremely large amounts of data transmission in a secure topology linking to a backbone or high-power servers.

This product also supports store-and-forward forwarding scheme to ensure low latency and high data integrity, eliminates unnecessary traffic and relieves congestion on critical network paths. With an intelligent address recognition algorithm, the switches could recognize up to 8K different MAC address and enables filtering and forwarding at full wire speed.

### 2.1.2 Switch Front Panel

Figure 2-1 & 2-2 shows a front panel of GSW-2401/GSW-1601

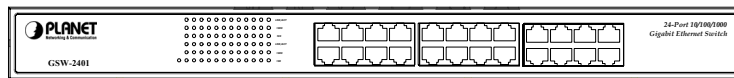


Figure 2-1 GSW-2401 front panel

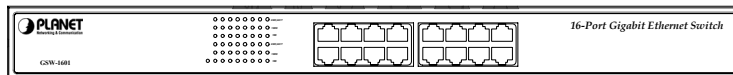


Figure 2-2 GSW-1601 front panel

### 2.1.3 LED Indicators

LED	Color	Function
PWR	Green	Lights to indicate that the Switch is powered on.



LNK/ACT	Green	Lights to indicate the link through that port is successfully established. Blinks to indicate that the switch is actively sending or receiving data over that port.
1000	Green	Lights to indicate that the port is operating at 1000Mbps.
100	Green	Lights to indicate that the port is operating at 100Mbps.

#### 2.1.4 Switch Rear Panel

Figure 2-3 & 2-4 shows a rear panel of GSW-2401/GSW-1601.



**Figure 2-3** GSW-2401 front panel



**Figure 2-4** GSW-1601 front panel

#### **Power Notice:**

1. The device is a power-required device, it means, it will not work till it is powered. If your networks should active all the time, please consider using UPS (Uninterrupted Power Supply) for your device. It will prevent you from network data loss or network downtime.
2. In some area, installing a surge suppression device may also help to protect your switch from being damaged by unregulated surge or current to the Switch or the power adapter.

## 2.2 Installing the Switch

This part describes how to install your Gigabit Ethernet Switch and make connections to it. Please read the following topics and perform the procedures in the order being presented.

**Note:** This switch does not need software configuration.

### 2.2.1 Desktop Installation

To install the switch on desktop, simply follow the next steps:

**Step1:** Attach the rubber feet to the recessed areas on the bottom of the switch.

**Step2:** Place the switch on desktop near an AC power source.

**Step3:** Keep enough ventilation space between the switch and the surrounding objects.

**Note:** When choosing a location, please keep in mind the environmental restrictions discussed in Chapter 1, Section 1.4 Product Specification.

**Step4:** Connect your switch to network devices.

**A.** Connect one end of a standard network cable to the 10/100/1000 RJ-45 ports on the Back of the switch.

**B.** Connect the other end of the cable to the network devices such as printer servers, workstations or routers...etc.

**Note:** Connection to the switch requires UTP Category 5 network cabling with RJ-45 tips. For more information, please see the Cabling Specification in Appendix A.

**Step5:** Supply power to the switch.

**A.** Connect one end of the power cable to the switch.

**B.** Connect the power plug of the power cable to a standard wall outlet.

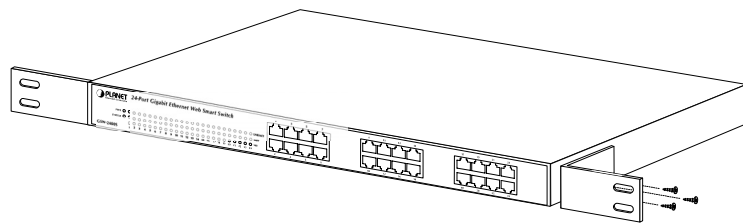
When the switch receives power, the Power LED should remain solid Green.

### 2.2.2 Rack Mounting

To install the switch in a 19-inch standard rack, follow the instructions described below.

**Step1:** Place your GSW-2401/GSW-1601 on a hard flat surface, with the front panel positioned towards your front side.

**Step2:** Attach a rack-mount bracket to each side of the Switch with supplied screws attached to the package. Figure 2-3 shows how to attach brackets to one side of the Switch.



**Figure 2-3** Attaching the brackets to the GSW-2401/GSW-1601

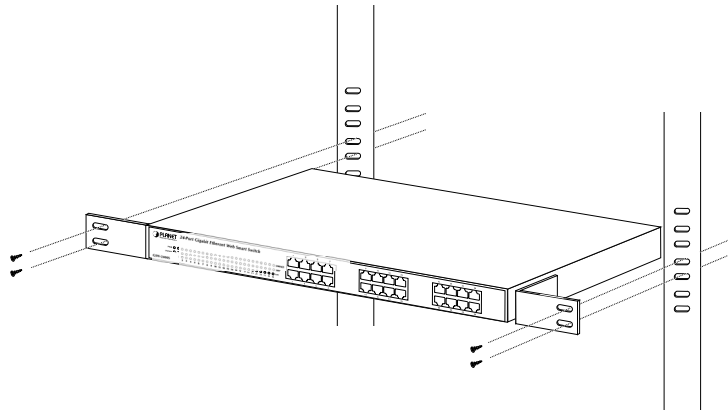
**Caution:**

You must use the screws supplied with the mounting brackets. Damage caused to the parts by using incorrect screws would invalidate your warranty.

**Step3:** Secure the brackets tightly.

**Step4:** Follow the same steps to attach the second bracket to the opposite side.

**Step5:** After the brackets are attached to the Switch, use suitable screws to securely attach the brackets to the rack, as shown in Figure 2-4.



**Figure 2-4** Mounting the Switch in a Rack

**Step6:** Proceeds with the steps 4 and steps 5 of **session 2.2.1 Desktop Installation** to connect the network cabling and supply power to your Switch.

## **3. SWITCH OPERATION**

### **3.1 Address Table**

The Switch is implemented with an address table. This address table composed of many entries. Each entry is used to store the address information of some node in network, including MAC address, port no, etc. This information comes from the learning process of Ethernet Switch.

### **3.2 Learning**

When one packet comes in from any port, the Switch will record the source address, port no. And the other related information in address table. This information will be used to decide either forwarding or filtering for future packets.

### **3.3 Forwarding & Filtering**

When one packet comes from some port of the Ethernet Switching, it will also check the destination address besides the source address learning. The Ethernet Switching will lookup the address-table for the destination address. If not found, this packet will be forwarded to all the other ports except the port, which this packet comes in. And these ports will transmit this packet to the network it connected. If found, and the destination address is located at different port from this packet comes in, the Ethernet Switching will forward this packet to the port where this destination address is located according to the information from address table. But, if the destination address is located at the same port with this packet comes in, then this packet will be filtered. Thereby increase the network throughput and availability.

### **3.4 Store-and-Forward**

Store-and-Forward is one type of packet-forwarding techniques. A Store-and-Forward Ethernet Switching stores the incoming frame in an internal buffer, do the complete error checking before transmission. Therefore, no error packets occurrence, it is the best choice when a network needs efficiency and stability.

The Ethernet Switch scans the destination address from the packet-header, searches the routing table provided for the incoming port and forwards the packet, only if required. The fast forwarding makes the switch attractive for connecting servers directly to the network, thereby increasing throughput and availability. However, the switch is most commonly used to segment existing hubs, which nearly always improves overall performance. An Ethernet Switching can be easily configured in any Ethernet network environment to significantly boost bandwidth using conventional cabling and adapters.

Due to the learning function of the Ethernet switching, the source address and corresponding port number of each incoming and outgoing packet are stored in a routing table. This information is subsequently used to filter packets whose destination address is on the same segment as the source address. This confines the network traffic to its respective domain, reducing the overall load on the network.

The Switch performs "Store and forward" therefore, no error packets occur. More reliably, it reduces the re-transmission rate. No packet loss will occur.

### **3.5 Auto-Negotiation**

The STP ports on the Switch have built-in "Auto-negotiation". This technology automatically sets the best possible bandwidth when a

connection is established with another network device (usually at Power On or Reset). This is done by detect the modes and speeds at the second of both device is connected and capable of, both 10Base-T and 100Base-TX devices can connect with the port in either Half- or Full-Duplex mode. 1000Base-T can be only connected in Full-duplex mode.

## 4. TROUBLESHOOTING

This chapter contains information to help you solve problems. If Giga Switch is not functioning properly, make sure the Ethernet Switch was set up according to instructions in this manual.

### **Some stations cannot talk to other stations located on the other port**

#### **Solution:**

The address table may contain older information than of the address table of that node. Please power down to refresh the address information.

### **Performance is bad**

#### **Solution:**

Check the full duplex status of the Ethernet Switch. If the Ethernet Switch is set to full duplex and the partner is set to half duplex, then the performance will be poor.

### **Why the Switch doesn't connect to the network**

#### **Solution:**

Check the LNK/ACT LED on the Switch  
Try another port on the Switch I  
Make sure the cable is installed properly  
Make sure the cable is the right type  
Turn off the power. After a while, turn on power again





## Appendix A Switch's RJ-45 Pin Assignments

### A.1 1000Mbps, 1000Base T

Contact	MDI	MDI-X
1	BI_DA+	BI_DB+
2	BI_DA-	BI_DB-
3	BI_DB+	BI_DA+
4	BI_DC+	BI_DD+
5	BI_DC-	BI_DD-
6	BI_DB-	BI_DA-
7	BI_DD+	BI_DC+
8	BI_DD-	BI_DC-

Implicit implementation of the crossover function within a twisted-pair cable, or at a wiring panel, while not expressly forbidden, is beyond the scope of this standard.

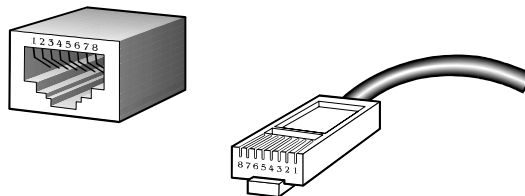
### A.2 10/100Mbps, 10/100Base-TX

When connecting your 10/100Mbps Ethernet Switch to another switch, a bridge or a hub, a straight or crossover cable is necessary. Each port of the Switch supports auto-MDI/MDI-X detection. That means you can directly connect the Switch to any Ethernet devices without making a crossover cable. The following table and diagram show the standard RJ-45 receptacle/ connector and their pin assignments::

RJ-45 Connector pin assignment		
Contact	MDI Media Dependant Interface	MDI-X Media Dependant Interface - Cross
1	Tx + (transmit)	RX + (receive)
2	Tx - (transmit)	RX - (receive)
3	Rx + (receive)	TX + (transmit)
4, 5	Not used	
6	RX - (receive)	TX - (transmit)
7, 8	Not used	

**The standard cable, RJ-45 pin assignment**

### A.3 RJ-45 Plug, Jack pin out



**The standard RJ-45 receptacle/.connector**

There are 8 wires on a standard UTP/STP cable and each wire is color-coded. The following shows the pin allocation and color of straight cable and crossover cable connection:

2010-A50140-000

