

DPA-C5-VD User's Manual



§ 1. Description

C5-VD is a data and video signal amplifier in the K5 system, used to increase the distance between the door station and the farthest distributor from 80 meters to 240 meters and to realize the multi-riser connection style where more than one riser is needed inside the building. It can also be used where the distributors in one riser has reached more than 20 to increase the number of distributors (therefore monitors) that can be connected in the riser.



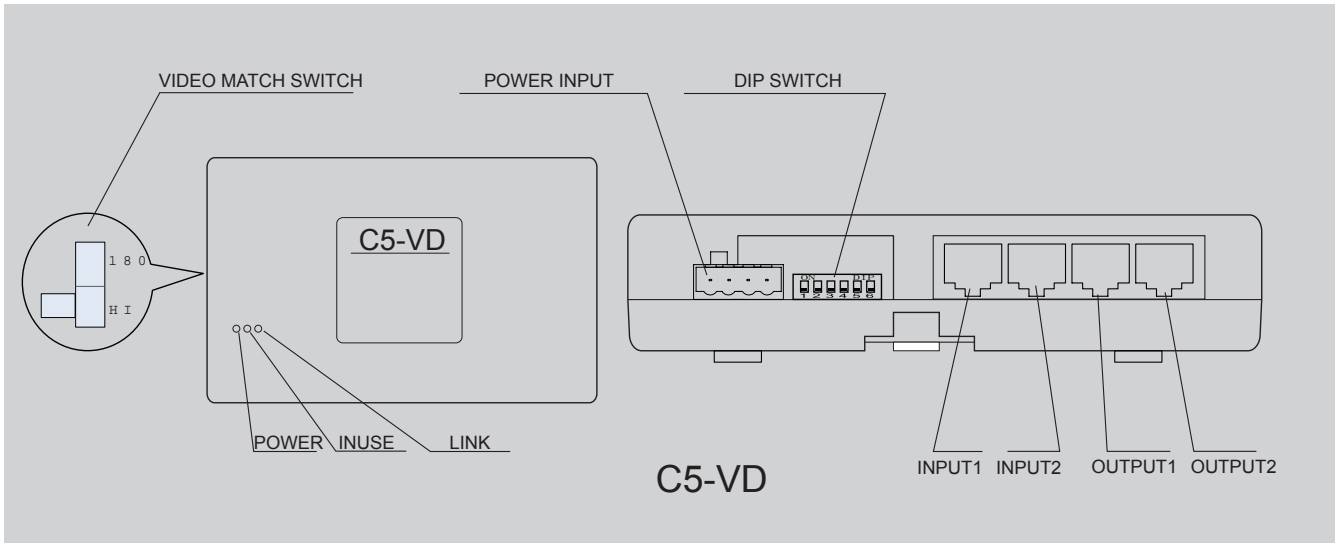
The amplifier must be connected at a point in the riser less than 80 meters from the door station, regardless of whether there be C5-IPC in between or not, and must be in cascading connection with the distributors.

§ 2. Feature

- Data and video signal separating and amplifying. The use of one C5-VD can extend the length of the riser by 80 meters can make another 12 distributors available for the system.

- Maximum 2 C5-VD can be connected in cascading connection within one riser.

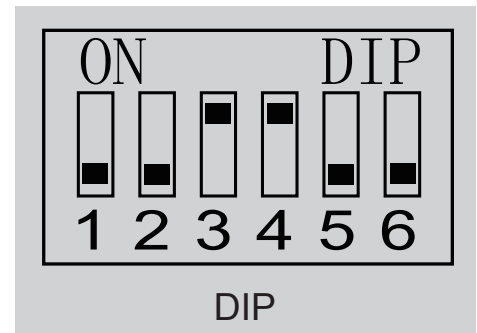
§ 3. Parts and Functions



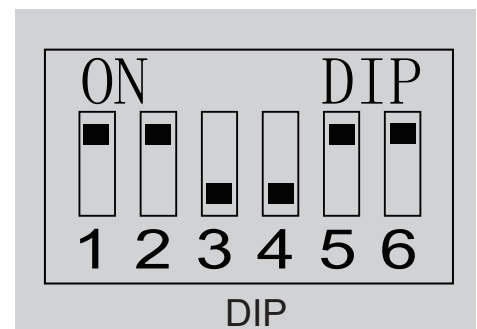
§ 4. DIP switch and video switch

DIP settings:

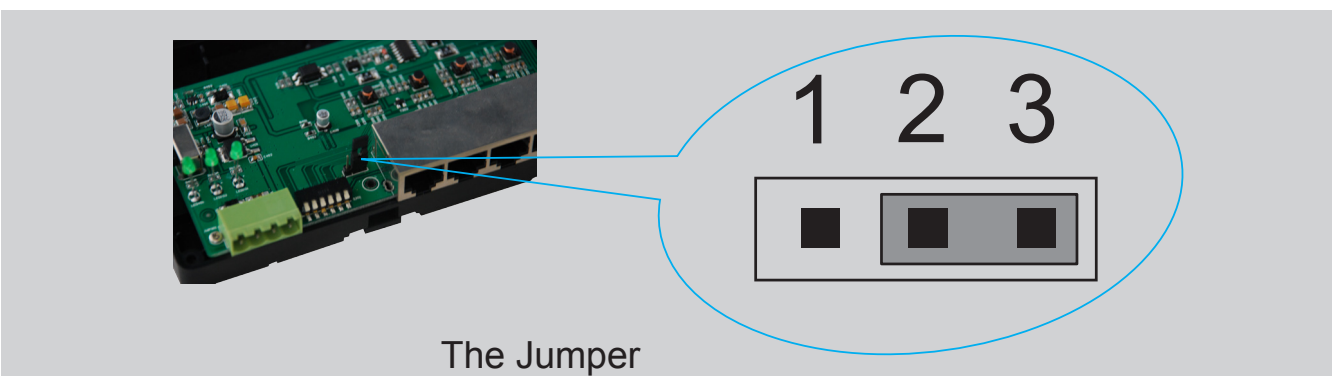
(1). When used with C5-F4 or C5-F414:
DIP3 and DIP4 must be set to ON, the rest to OFF.



(2). When used with C5-F422:
DIP3 and DIP4 must be set to OFF, the rest to ON.



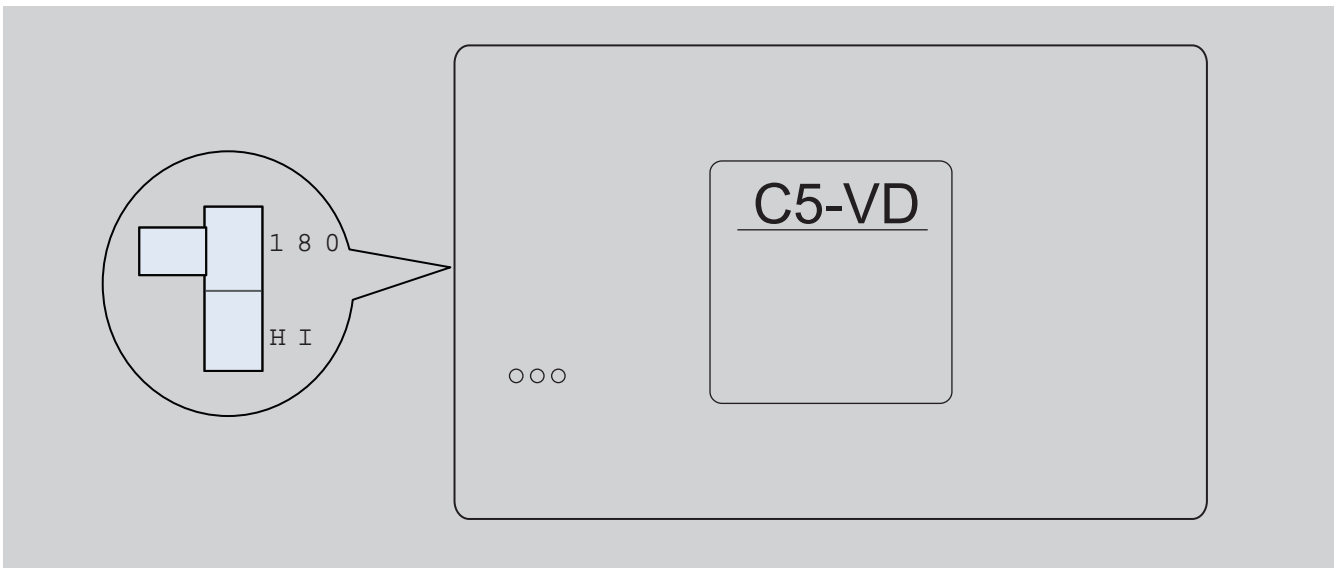
Note: When used with F422, it has to be opened to set the jumper to the 2&3 position.



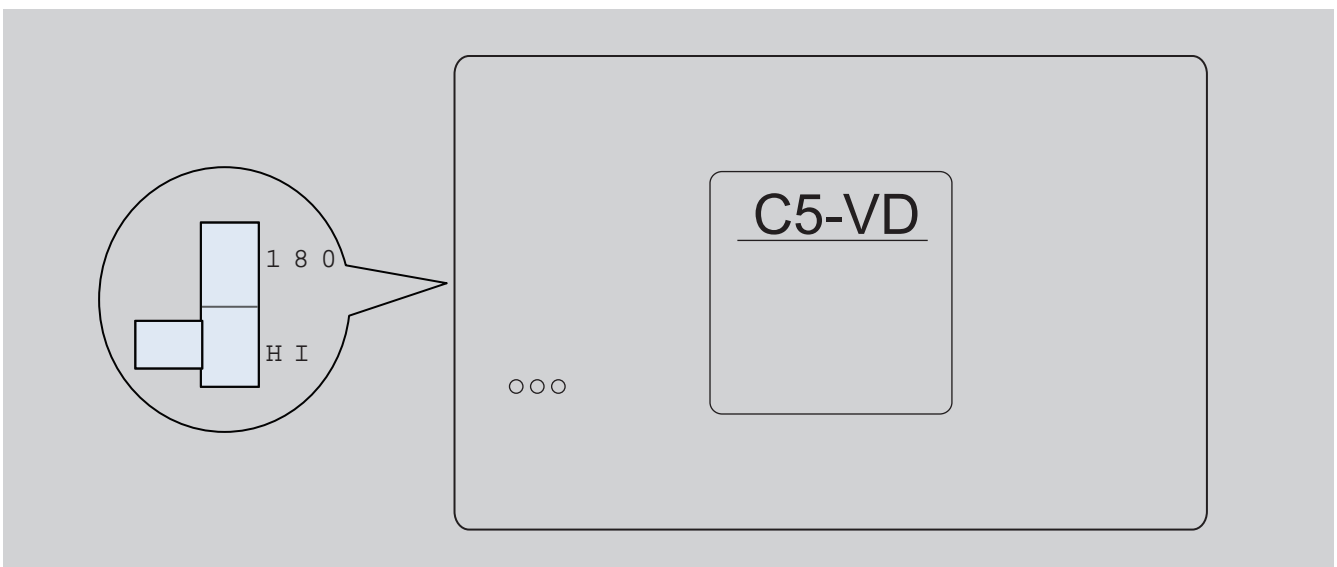
The Jumper

Video Switch

(1).When used at the end of the riser:



(2).When used at the middle of the riser:



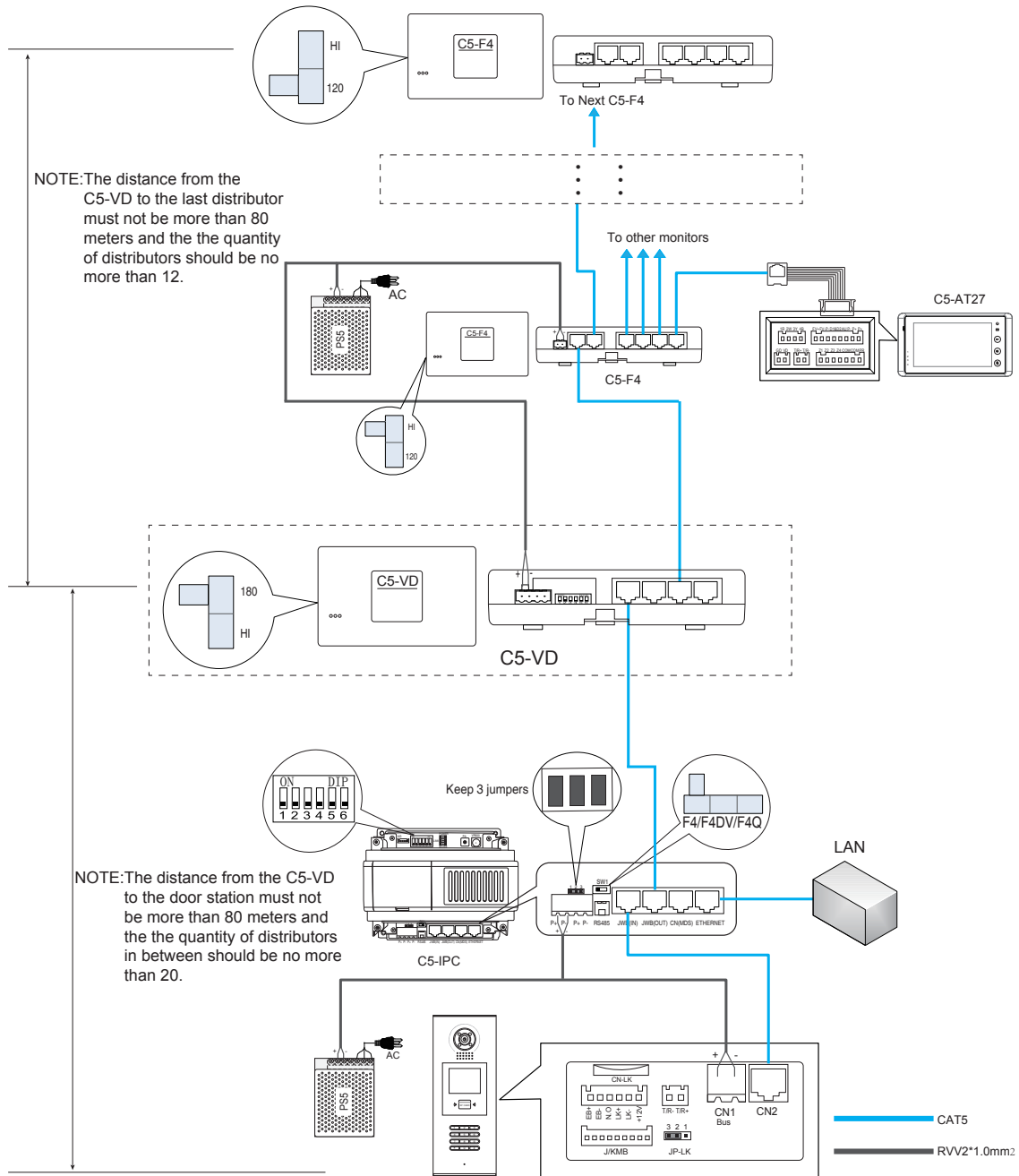
§ 5. Specifications

- | | |
|------------------------|--------------|
| ” Power supply: | DC24V |
| ” Standby current: | 10mA |
| ” Working current: | 15mA |
| ” Working temperature: | -10°C ~ 40°C |
| ” Connection port: | RJ4S |
| ” Dimensions: | 88*140*32mm |

§ 6. Applications

(1).Data and video amplifying in the riser:

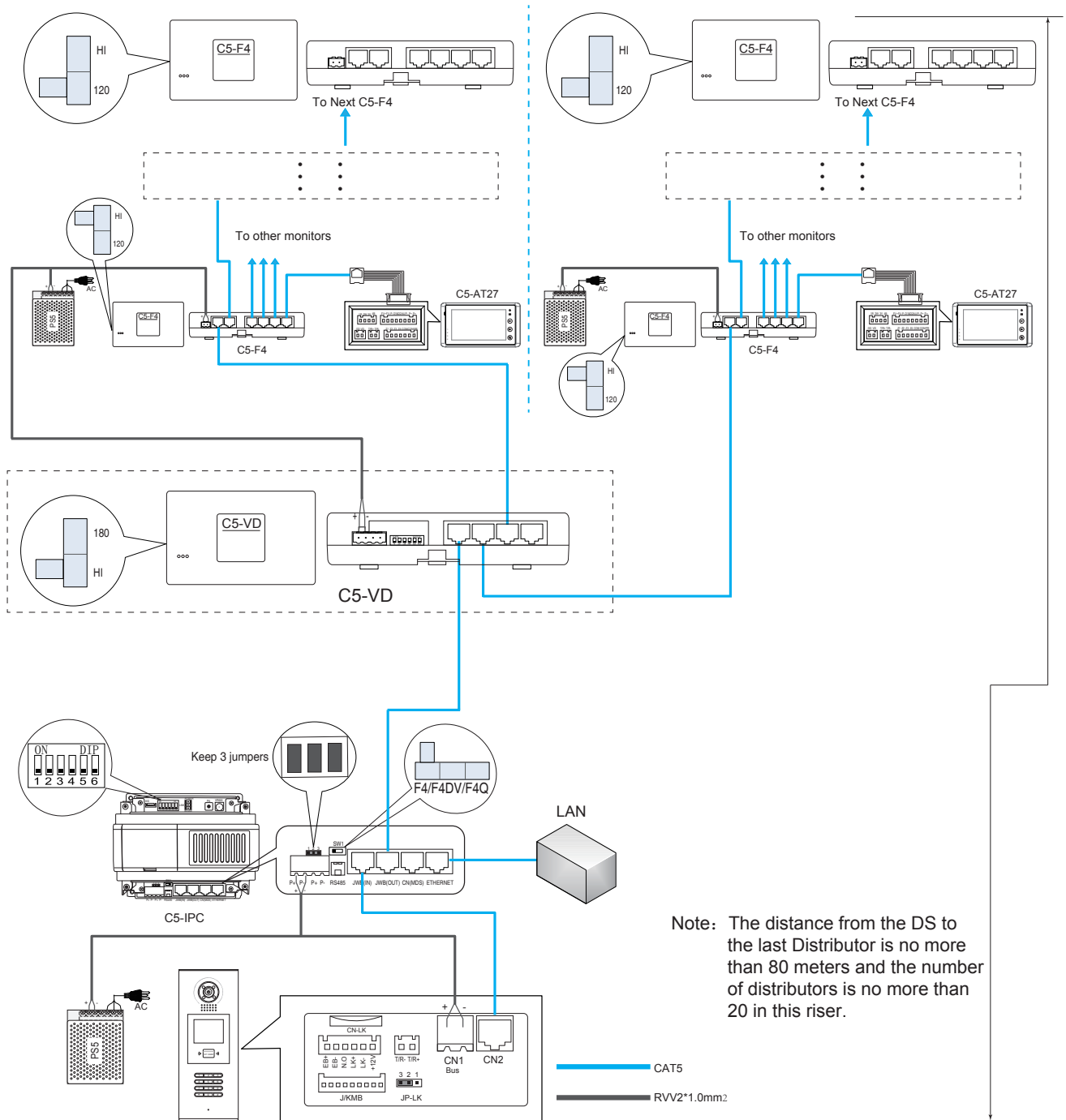
Applied where the riser has reached more than 80 meters or the number of the distributors is more than 20. In such cases, maximum 2 C5-VD can be connected in cascade in the riser. One C5-VD enables the riser to have another 80 meters in length and another 12 distributors. And by use of 2 C5-VD, the length of the riser can go up to 240 meters and number of distributors can reach 44.



Note that ID Code(#8001-1) setting in DPC-D218ID must be set to 1

(2).Realizing multi-riser connection style:

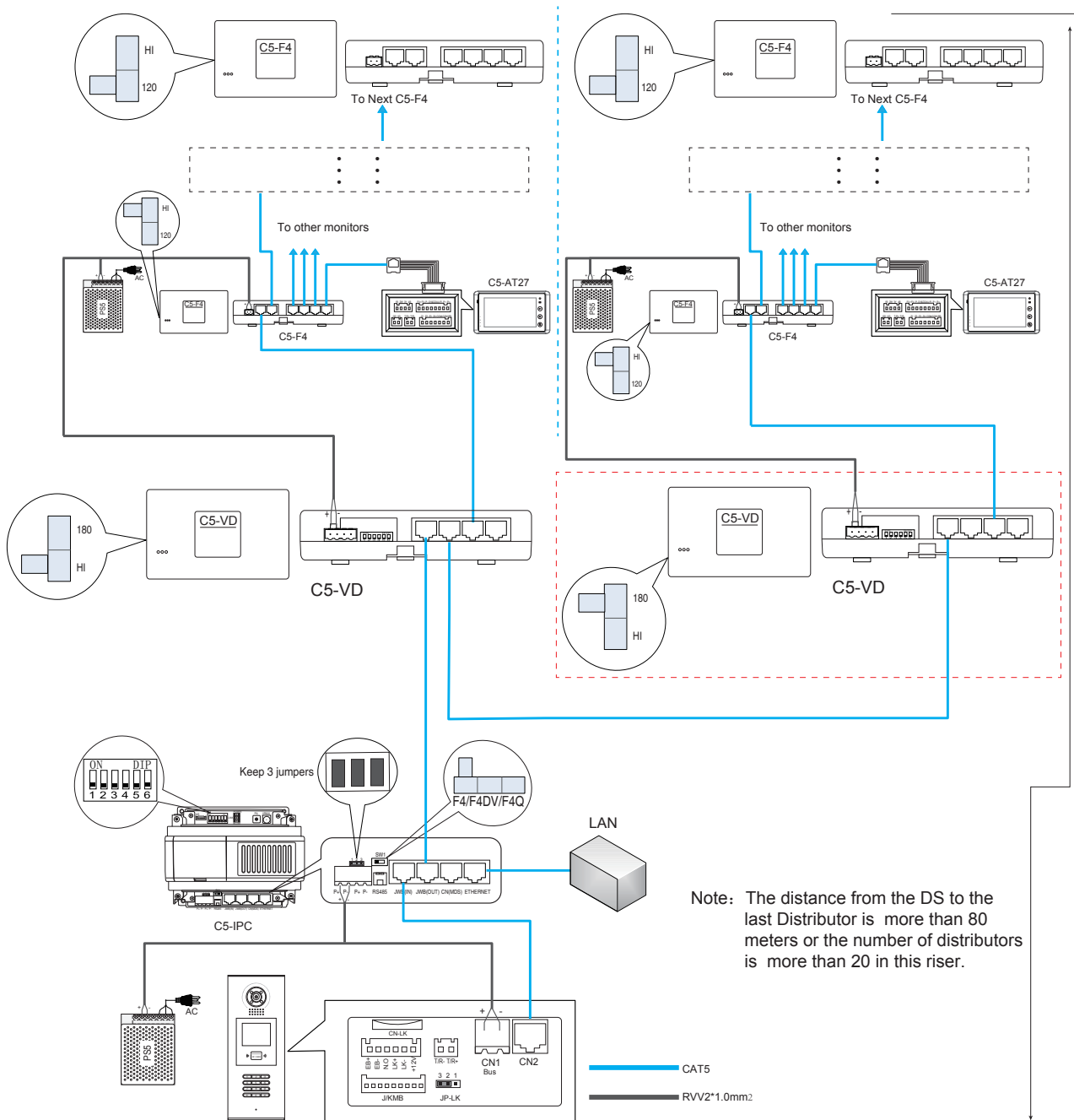
Applied where there are more than one tower in one building, to realize multi-riser connection style. The use of one C5-VD will add another riser to the system.



Note that ID Code(#8001-1) setting in DPC-D218ID must be set to 1

(3). Realizing multi-riser connection style and signal amplification:

In some cases, apart from the need of multi-riser, each of these risers may also need a C5-VD to realize signal amplifying because of the long distance or the large number of distributors.



Note that ID Code(#8001-1) setting in DPC-D218ID must be set to 1