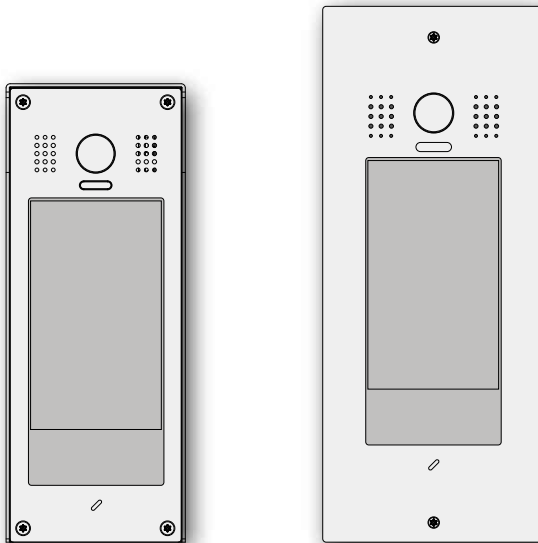


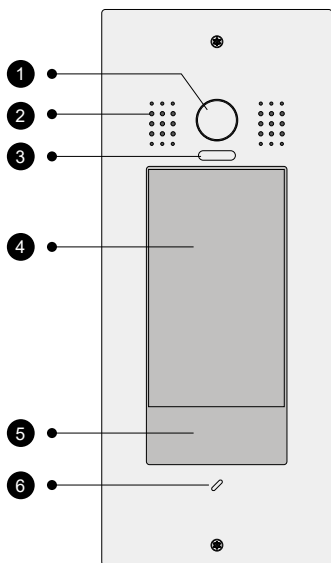
IP Video Outdoor Station

DPC-IP850

User Manual



1.Parts and Functions



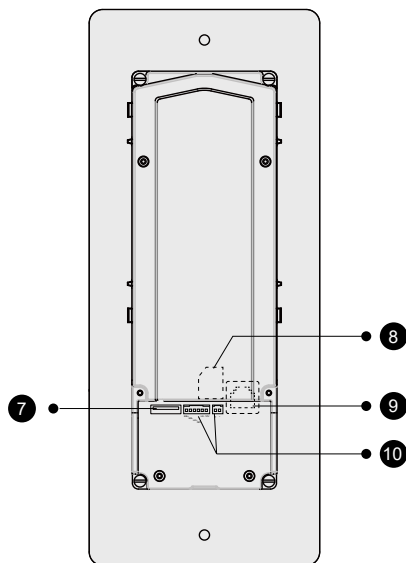
1 Camera lens

2 Speaker

3 LED_CAM
Illuminates subjects in dark environments.

4 LCD screen

5 Card reader
Allows the door to be unlocked by using a card. The door station beeps if the card cannot unlock the door.



6 Microphone

7 USB connector

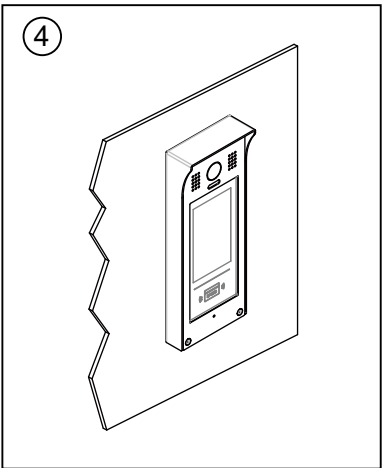
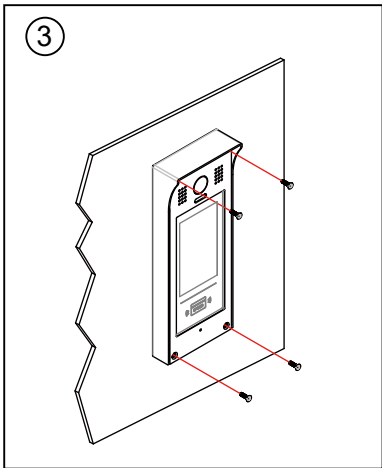
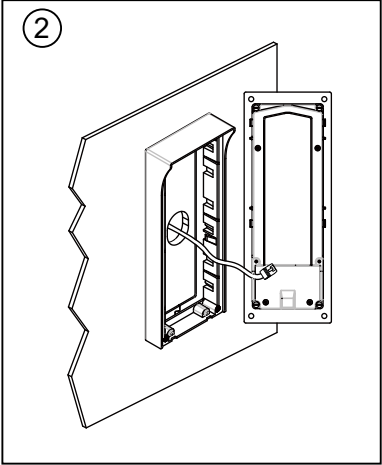
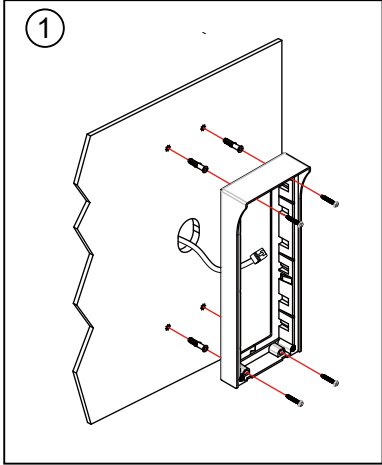
8 SD card connector

9 Lan connector
Use to connect the door station to the network.

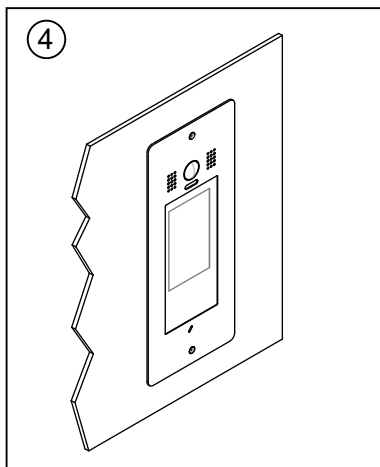
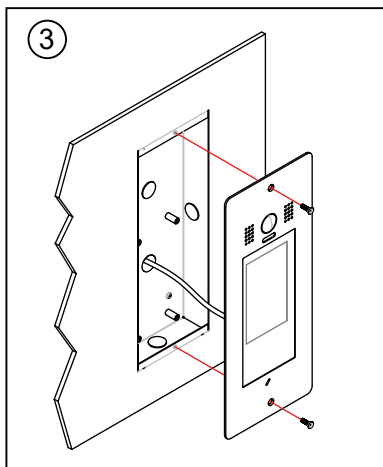
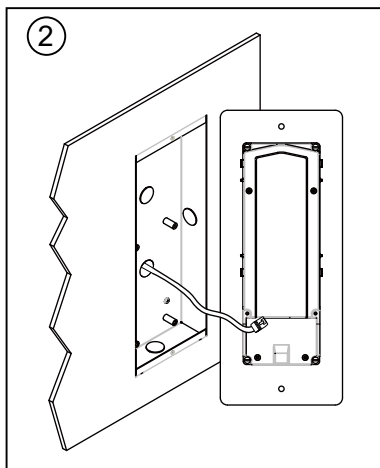
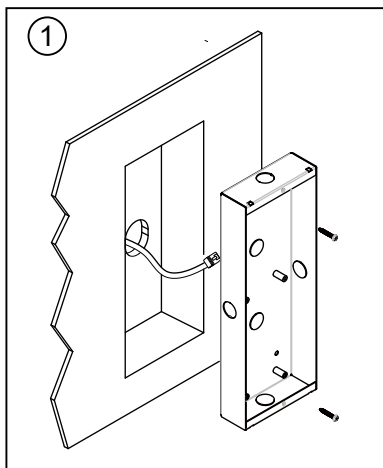
10 Terminal connector
Use to connect external devices to the door station

3. Door Station Mounting

Surface mounting



Flush mounting



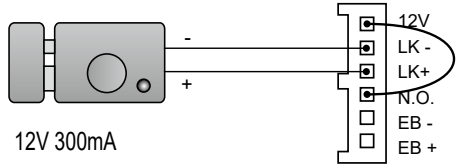
1. Installation height for door station usually is 145~160cm.
2. Use screws to fix the back panel to the wall after connect the cable correctly.
3. Attach the front panel to the back panel, then use the screw to fix it.

4. Electric Lock Connection

Door Lock Controlled with Internal Power

Note:

1. This mode only supports electromagnetic locks.
2. Electromagnetic lock of Power-off-to-unlock type should be used.
3. The door lock is limited to 12V, and holding current must be less than 250mA.
4. The **Unlock Mode** Parameter of Monitor must be set to 1 (by default).

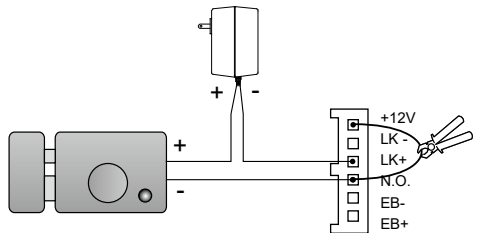


set to Normally open on the
Unlock Relay mode

Door Lock Controlled with Dry Contact

Note:

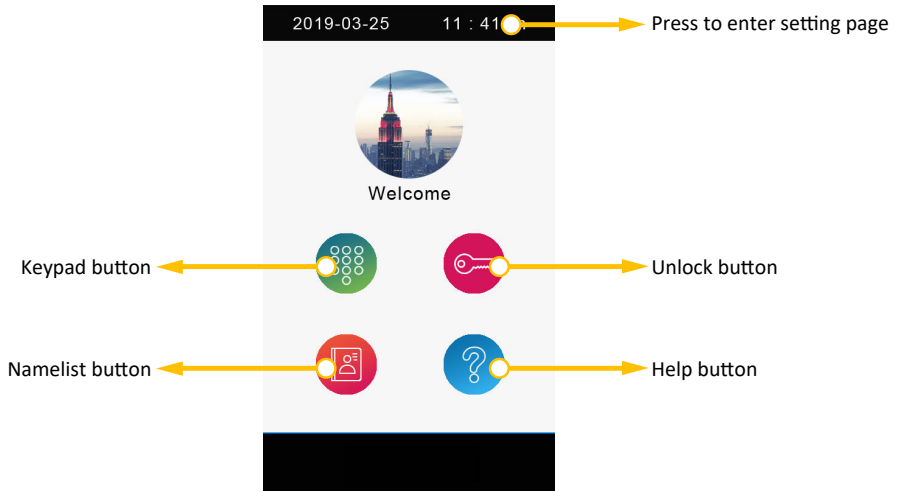
1. The external power supply must be used according to the lock.
2. The inside relay contact is restricted to AC or DC 24V/1A.
3. Setup the **Unlock Mode** of Monitor for different lock types.
 - Power-on-to-unlock type: Unlock Mode=0 (by default)
 - Power-off-to-unlock type: Unlock Mode=1




set to Normally Open on the Unlock Relay mode (default)

5. Door Station Operations


About main menu:




Calling a resident via input room number:

- 1 Press keypad button to enter keypad page.
- 2 Input the room number.
- 3 Press  to call.

Calling a resident via namelist:

- 1 Press namelist button to enter namelist page.
- 2 Select the desired name on the list.
- 3 Press  to call.

Open the door by entering an unlock password:

- 1 Press unlock button to enter keypad page.
- 2 Input your unlock password.
- 3 Press  to open the door.

Open the door by using an access card:

Touch your access card to card reader area of the door station.

Enter installer mode:

- 1 Press unlock button.
- 2 Input “990166666666” than confirm ([9901+installer password 66666666 by default](#))

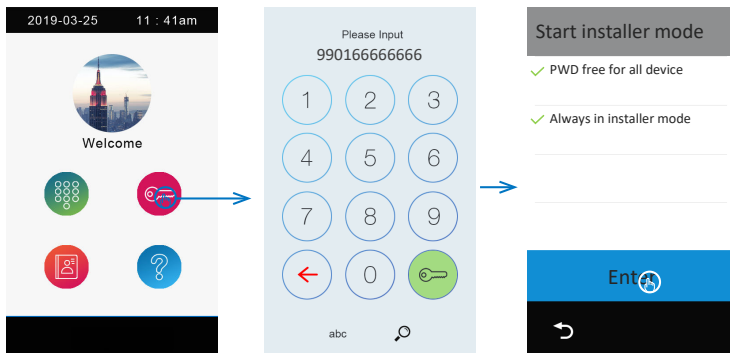
- PWD free for all device:

All other devices with same installer password will not require to input password when it is enabled.

- Always in installer mode

Keep in “Installer mode” unless manually exit or power down. Without selected, IP850 will exit “Installer Mode” after 1 hour.

- 3 Press “Enter” to set door station into “Installer Mode”.



Unlock setting:

In “Installer Mode” (Unlock with code 9901 and tap in the middle of blue bar at top),

1 Press “Setting”.

2 Select “Parameter”

3 Select “Lock and PWD”

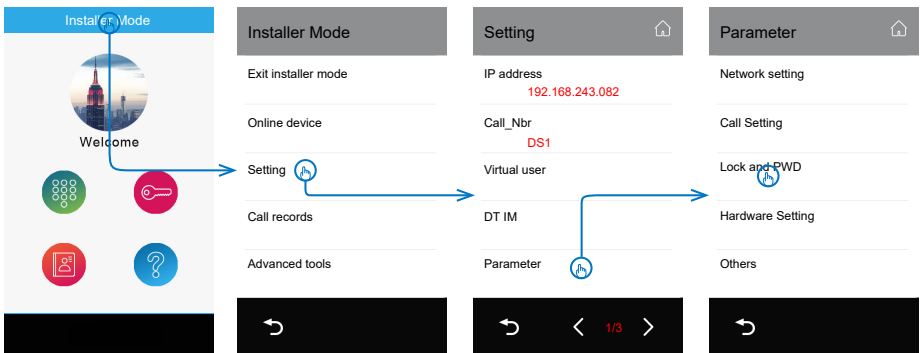
Find below Parameters:

- [Lock1_mode](#):

Normally open or Normally close.

- [Lock1 unlock timing](#):

Setup unlock timing.



Enter Management setting menu:

1 Press unlock button.

2 Input “990266666666” than confirm ([9902+installer password 66666666 by default](#))

Public Unlock Code:

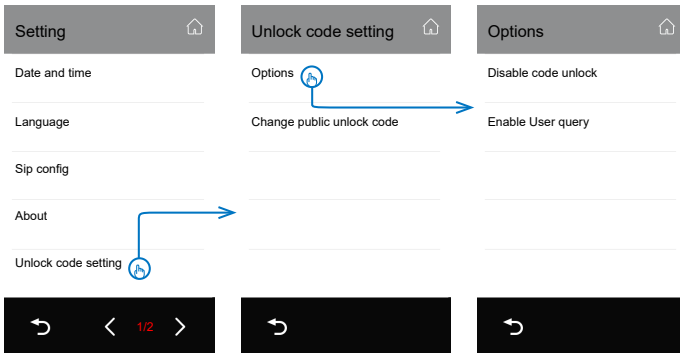
[Change public code](#)

1 In “management setting menu”.

- 2 Select “Unlock code setting”.
- 3 Select “Change public unlock code”.
- 4 Input current code (1234 by default).
- 5 Input new code twice.

Options

- 1 In “Unlock code setting”.
- 2 Select “Options”.



- Disable code unlock

Not allow to use public unlock code to unlock door station.

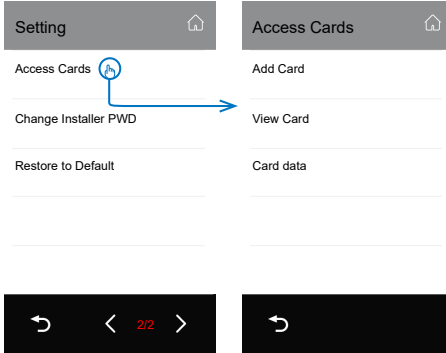
- Enable User query

Allow users to check public unlock on monitor.

Access Card Management:

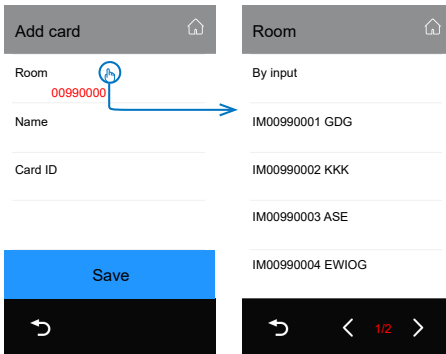
1 In “management setting menu”.

2 Select “Access Cards”.



Add Card

Tap “add card” in “Access cards” to add access card.



- Room

Select an online monitor or manual input Room_Addr.

- Name

Manual input card holder's name, as remark

- Card ID

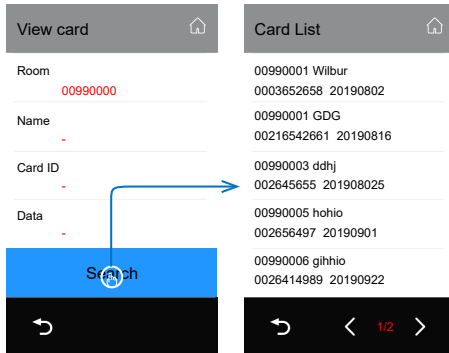
Manual input card ID or swipe card in the card reader.

- Save

Apply card to door station.

View Card

Tap “View Card” in “Access card” to check added cards.



Input search condition, if keep all blank means to show all cards.

- **Room**

Input room number.

- **Name**

Input card holder's name.

- **Card ID**

Input fully 10 digits Card ID.

- **Date**

Input card create date.

Or swipe a card to check.

In the search list, tap “delete” icon on item to delete card, or tap “delete” icon on the list bar to delete all card in the list.

Description for card list:

00990001(Room_Addr) Wilbur (Card Name)

0003652658(Card ID) 20190802(Card create date)

Card Data

Tap "Card Data" in "Access Card" to sync, backup and restore card data.

- Backup to SD

Backup all card data to SD card.

- Restore from SD

Restore card data from SD card.

- Sync to device

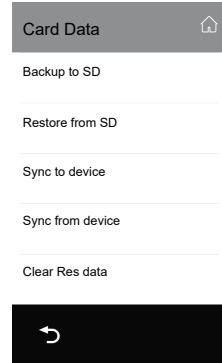
Sync all card data to online door station

- Sync from device

Sync card data from an online door station.

- Clear Res data

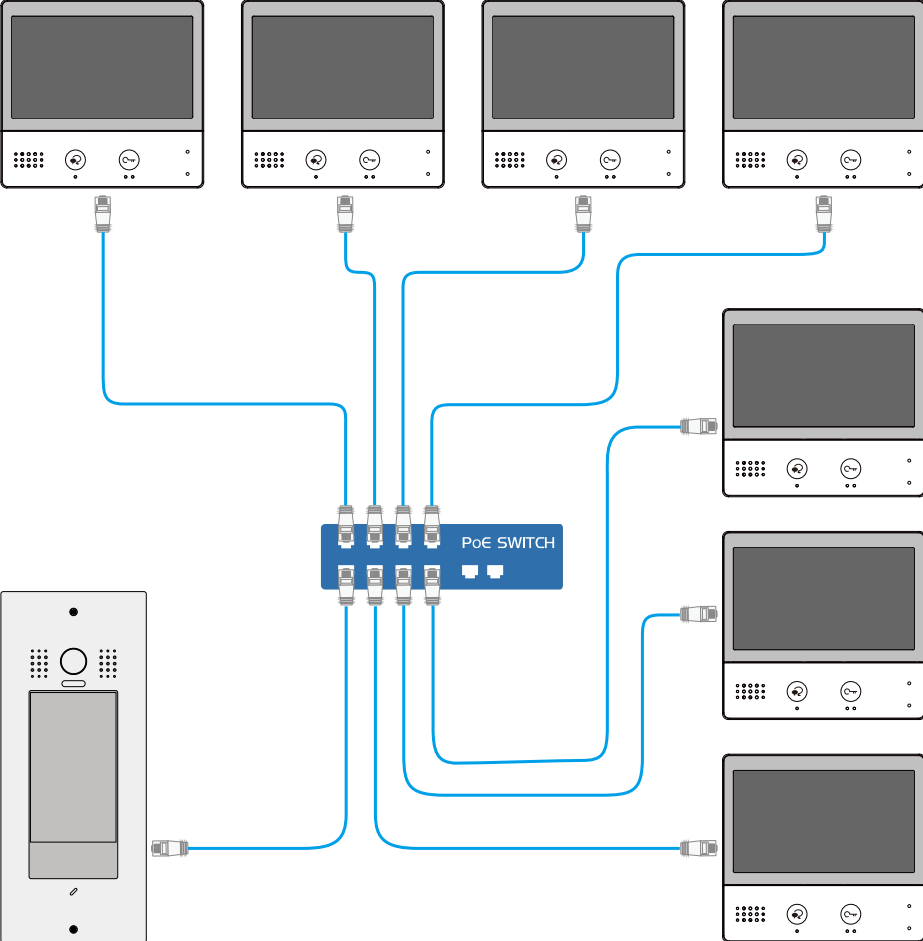
Clear this door station's card data.



6. Specification

- Power Source: Power-over-Ethernet (IEEE 802.3af Class 0)
- LAN Interface: 10 BASE-T / 100 BASE-TX Ethernet (RJ-45)
- Camera: Type 1/3.7" Ultra Sense, ISP with 77dB WDR
- Len angle: 170 degree with Fisheye correction
- Screen: 5 Inch digital color TFT
- Display Resolutions: 800*480 resolution
- Minimum illumination: 5 lux
- Wire Type: Cat-5e or Cat-6
- Wiring Distance: 100m (Approx. 330')
- Operating temperature: -10 to +50 (oC)
- Protection: IP65;
- Dimension: 281(H)×110(W)×44(D)mm(Surface)
316(H)×133(W)×46(D)mm(Flush)

7. Wiring



The design and specifications can be modified without notice to the user. Right to interpret and copyright of this manual are reserved.
