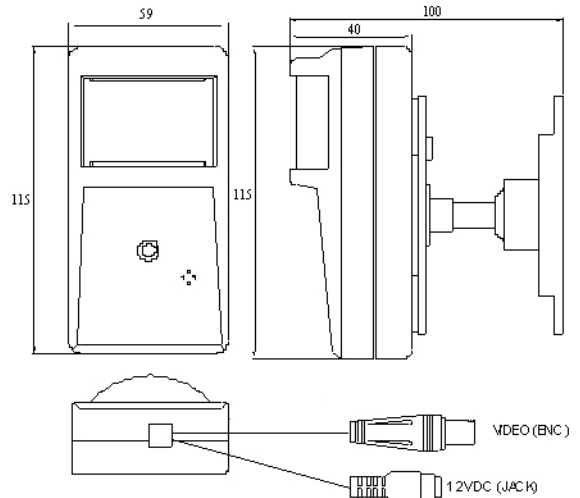
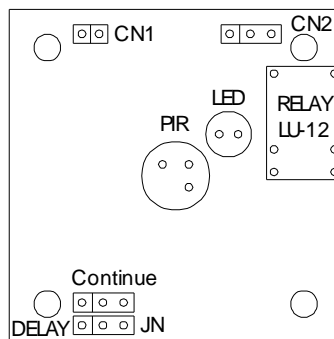


CAMERA + PIR DETECTOR

ITEM NO.: PIRCAM480L20-P7110



PIR SENSOR



JP1: PULSE ALARM COUNTER

- N (Side Trigger OUTPUT for SINGLE pulse Alarm)
- Y (Opposite Trigger OUTPUT for 2 OR MORE pulses Alarm in 5 sec.)

JP2: TIMING ALARM (RELAY OUTPUT)

- N (Side 10 sec. after the LAST pulse Alarm)
- Y (Opposite 10 sec. after the FIRST pulse Alarm, if 2 or more pulse Alarm in these 10 sec.)

Caution for Installation

1. Avoid places where there is direct sunlight.
2. Do not directly touch the CCD element. If necessary, use a soft cloth moistened with alcohol to wipe off the dust.
3. Avoid places where temperatures exceed 50 °C or more.
4. Avoid places where there is frequent vibrations or shocks.
5. Please input power **regulator DC 12V**.
6. When any abnormalities occur, make sure to unplug the unit and contact your local dealer

n SPECIFICATIONS

ITEMS	PIRCAM480L20-P7110
TYPE	COLOR
PICK UP DEVICE	1/4" CCD IMAGE SENSOR
PICTURE ELEMENTS	NTSC: 752 Hx582V PAL: 500 Hx582V
HORIZONTAL RESOLUTION	480 Lines
MINI ILLUMINATION	0.2Lux/F2.0
HORIZ. SYNC.FREQUENCY	EIA/ NTSC: 15.734 KHz - CCIR/ PAL: 15.625 KHz
VERTICAL FREQUENCY	EIA/ NTSC: 60 Hz – CCIR/ PAL: 50 Hz
CLOCK FREQUENCY	EIA/ NTSC: 19.0699 MHz - CCIR/ PAL: 18.9375 MHz
SCANNING SYSTEM	2:1 INTERLACE
S/N RATIO	50 dB
ELECTRONIC SHUTTER	NTSC:1/60~1/120,000 sec PAL:1/50~1/120,000 sec.
LENS	Pin Hole3.8mm/F:2.0
VIDEO OUTPUT	1 Vp-p, 75 Ohms
AUDIO OUTPUT	NO
GAMMA.	0.45
PIR SENSOR	7M / 110 Degrees, ANTI-RFI
PULSES COUNTER	YES with Automatic Reset
CONTACT ALARM	Contact NO / NC with Common Point
DIMENSIONS W×H×D mm	60× 115× 30.8 (100 with bracket)
WEIGHT g.	100
POWER SUPPLY	12 VDC (+ / - 0.5V)
POWER CONSUMPTION	110mA
STORAGE TEMPERATURE	- 30 to + 60°C
OPERATING TEMPERATURE	- 10 to + 45°C

The camera begin to operate only when PIR was triggered.

Remark:

The camera are only operated with regulative adaptor DC 12V,
AC non-regulative adaptor may cause camera damaged.