

XtendLan

5.8GHz Wireless Multi - Receiver



5.8GHz Wireless Multi - Receiver

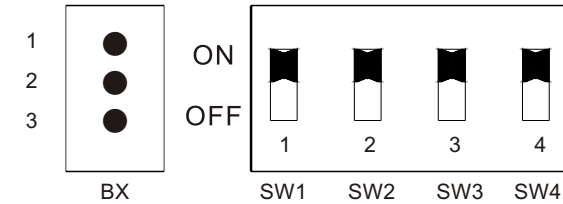
WR5814 **MANUAL**

CHAPTER TABLE OF CONTENTS

1. Important-Safety precautions.....	2
2. Checking Contents of Box.....	2
3. Panel Controls and Features.....	3
4. Installation of the system.....	4
5. Orienting Device for Optimum Performance.....	5
6. Troubleshooting, Care and maintenance.....	9
7. Specifications.....	9
8. Channel Selection.....	10

8. Channel Selection

Channel selection according to DIP switch and Jumper settings as followings



	BX	SW1	SW2	SW3	SW4
CH 1	1-2	OFF	OFF	OFF	ON
CH 2	1-2	ON	OFF	OFF	ON
CH 3	1-2	OFF	ON	OFF	ON
CH 4	1-2	ON	ON	OFF	ON
CH 5	2-3	ON	ON	ON	ON
CH 6	2-3	OFF	ON	ON	ON
CH 7	2-3	ON	OFF	ON	ON
CH 8	2-3	OFF	OFF	ON	ON
CH 9	2-3	ON	ON	OFF	ON
CH 10	2-3	OFF	ON	OFF	ON
CH 11	2-3	ON	OFF	OFF	ON
CH 12	2-3	OFF	OFF	OFF	ON
CH 13	1-2	ON	ON	ON	ON
CH 14	1-2	OFF	ON	ON	ON
CH 15	1-2	ON	OFF	ON	ON
CH 16	1-2	OFF	OFF	ON	ON

Are the factory default setting

5. Orienting Device for Optimum Performance

This device should be placed on a flat, stable surface to prevent damage to it from falling.

- Since all homes are different for optimum reception, additional slight rotate antenna may be necessary.
- For optimum performance you maybe rotate the channel input gain control on the device individually when you use the device.

6. Troubleshooting, Care and maintenance

Please read this owner's manual carefully and follow the steps described in it. If you still have difficulties, consult the following table. It will guide you though the most common problems and their solutions

Problem	Possible solutions
No picture	<ul style="list-style-type: none"> ■ Check all cable connections. ■ Make sure power plugs are pushed all the way in. ■ Check power switches on the digital color quad process or or digital video recorder or monitor. ■ Check the power on/off switches on the camera and the device
Interference: Noisy picture	<ul style="list-style-type: none"> ■ Adjust antenna orientation of camera and the device. ■ Adjust the channel input gain control of the device. ■ If using a microwave oven, turn it off. ■ Remove microwave oven from path between camera and the device.

7. Specifications

Input Signal Level Range	-85dBm ~-10dBm
Antenna Connector	SMA female connector
Channel Input Gain Control Level	+15~-30 dB adj.
Noise Figure	3dB
Video Output	1V p-p @ 75 ohm
Output Port	4 BNC female connector
Power connector (DC Jack)	5.5Ø2.1
Power Supply	12VDC/2A
Dimension	216mm×183mm×46mm
Weight	1420 g
Operating temperature	0°C~50°C

All specification subject to change without notice

1. Important-Safety Precautions

- To prevent fire or shock hazard, do not expose this device to rain or moisture.
- To avoid electrical shock, do not open this device.
- This device should be operated to use only the power supply included with it or provided as an accessory.
- Do not overload wall outlets
- Do not attempt to service this device yourself. Refer servicing to qualified personnel only.

Note:

The user is encouraged to try to correct the interference by one or more of the following measures:

- Reorient or relocate the receiving antenna.
- Increase distance between the equipment and receiver.
- Connect the equipment into a different circuit outlet from the receiver's.
- Consult with the dealer or an experienced radio/TV technician for help.

Cautions:

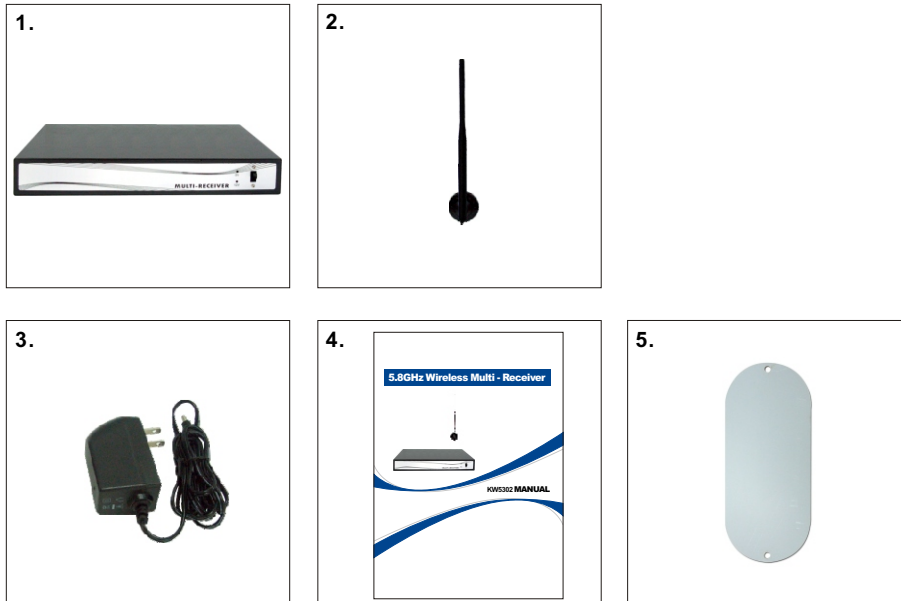
1. Screw 5.8GHz antenna to the antenna socket at the rear of the camera first before plug in the power cord.
2. Changes or modifications are not expressly permitted.
3. Put the movable antenna as high as possible for best performance.

Notice : The changes or modifications not expressly approved by the party responsible for compliance could void the user's authority to operate the equipment.

IMPORTANT NOTE: To comply with the FCC RF exposure compliance requirements, no change to the antenna or the device is permitted. Any change to the antenna or the device could result in the device exceeding the RF exposure requirements and void user's authority to operate the device.

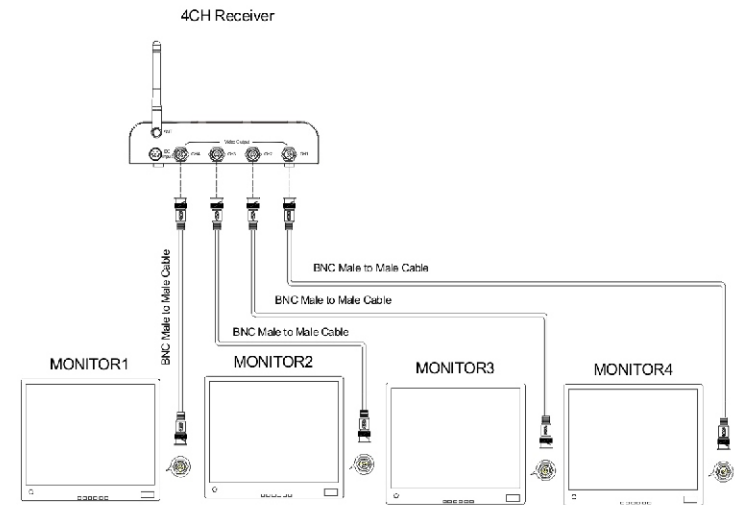
2. Checking Contents of Box

Make sure that all of the items shown as below are included with your 5.8 GHz Wireless Multi-Receiver System. If something is missing, please contact your dealer as soon as possible.



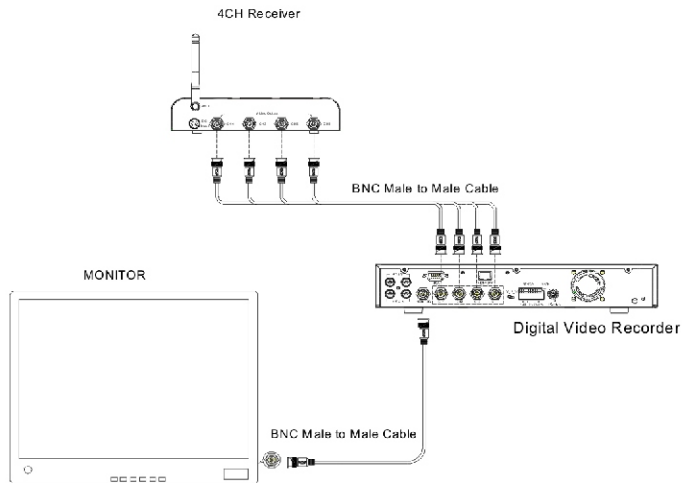
- 1. 4 Channels Multi-Receiver ————— x1
- 2. 5.8GHz Wireless dipole Antenna — X1
- 3. Power Adapter ————— x1
- 4. Manual In English ————— x1
- 5. Metal Sheet for magnetic antenna

■ Operation With 4 Monitors



Be sure to set the power switch on the device and monitors to the off position before processor with the following steps

■ Operation With Digital Video Recorder and Monitor

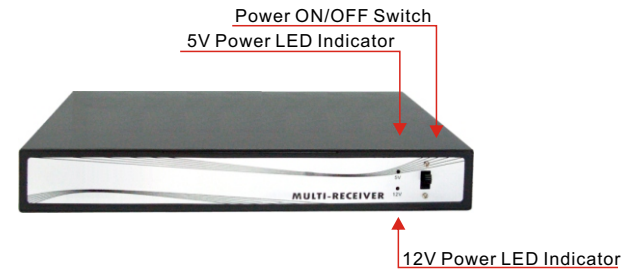


Be sure to set the power switch on the device and Digital Video Recorder and monitor to the off position before processor with the follow steps

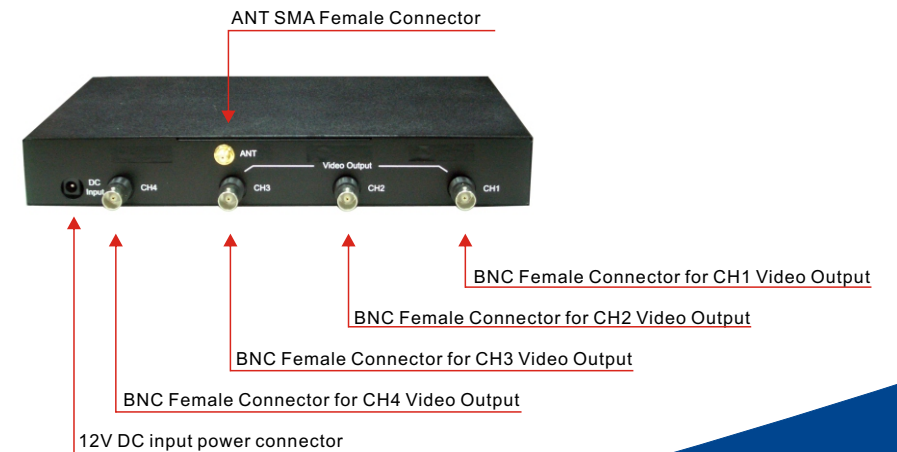
3. Panel Controls and Features

The following illustrations show the names of each component, button and switch connectors on the receiver.

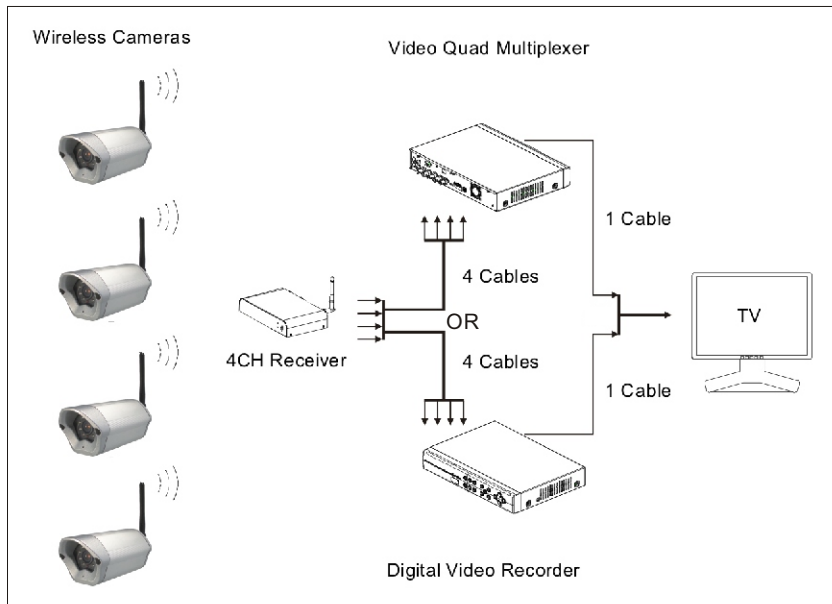
FRONT VIEW FOR THE MULTI-RECEIVER



REAR VIEW FOR THE MULTI-RECEIVE



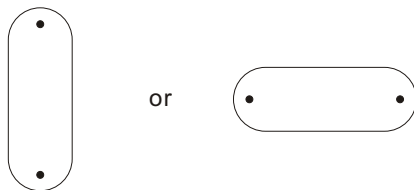
4. Installation of the system



This system is suggested to match following equipment:

- Wireless Cameras.
- Digital Color Quad Processor
- Digital Video Recorder.

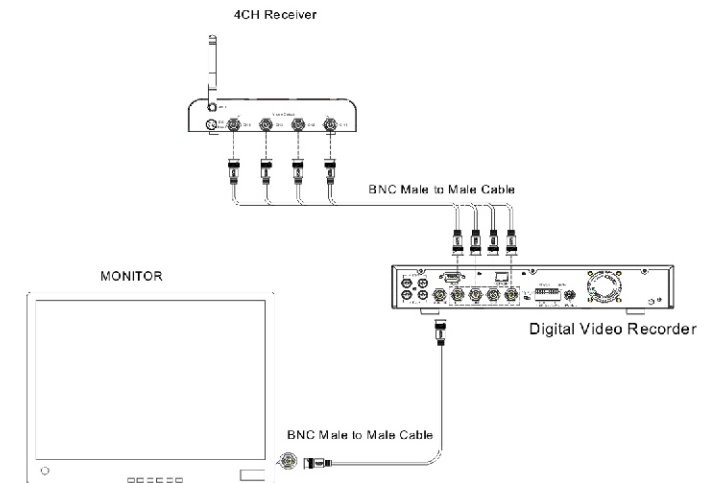
5. Install the metal sheet for magnetic antenna



1. Put the antenna as high as possible. Higher than body tall is better.
2. Fixed the metal sheet on the best performance position.
3. Put antenna on the metal sheet and adjust for best performance.

Make sure the POWER switch is on the 『OFF』 position before connection

■ Operation With Digital Color Quad Processor and Monitor



Be sure to set the power switch on the device and digital color quad processor and monitor to the off position before processor with the follow steps