



LCD KVM user's guide

XL-DKVM series

OVERVIEW	2
PRODUCT TYPE.....	3
FRONT VIEW	4
REAR VIEW	5
KVM CONTROL PLATFORM CONNECTING WIRE	6
DIMENSION.....	9
CONNECTION OF KVM SIGNAL WIRE	10
OPERATION	12

OVERVIEW

KVM control platform is one witch integrate a multiple ports KVM switch into 1U height. It controls multiple computers with one platform (keyboard, mouse and monitor).

A KVM switch can control 8/16 PC by direct connection and it can control 512 PC at most by 3 level cascade connection.

It is easy and quick to install. Just connect the wire to the correct port without software configuration. So there is no difficulty in installation and incompatibility.

KVM switch provides two methods to control the computers connected to it:

1. By keyboard combine key.
2. By OSD operation.

In addition, it provides powerful automatic scanning function to scan and monitor all computers connected to it.

Using KVM control platform is a best choice to save time and money. By using one KVM platform to manage all the computers connected to it, user can save money for keyboard, mouse and monitor for each computer and their space.

PRODUCT TYPE

Type	OSD Function	Note
XL-DKVM-1501	No	15 inches LCD screen, keyboard and mouse.
XL-DKVM-1508P	Yes	15 inches LCD screen, keyboard, mouse and 8 ports PS/2 KVM.
XL-DKVM-1508U	Yes	15 inches LCD screen, keyboard, mouse and 8 ports USB KVM.
XL-DKVM-1516U	Yes	15 inches LCD screen, keyboard, mouse and 16 ports USB KVM.
XL-DKVM-1701	No	17 inches LCD screen, keyboard and mouse.
XL-DKVM-1708P	Yes	17 inches LCD screen, keyboard, mouse and 8 ports PS/2 KVM.
XL-DKVM-1708U	Yes	17 inches LCD screen, keyboard, mouse and 8 ports USB KVM.
XL-DKVM-1716U	Yes	17 inches LCD screen, keyboard, mouse and 16 ports USB KVM.

FEATURES

Control Platform

- ◆ Control platform with LCD, keyboard, mouse and multiple ports KVM switch.
- ◆ 1U height, suitable for 19" standard cabinet installation and metal structure.
- ◆ 15/17" LCD screen with high brightness, high clear and high resolution.
- ◆ Control platform can be totally pulled out from the cabinet and the LCD screen can be turned on to 120 degrees.
- ◆ Ultra thin keyboard with keypad.
- ◆ Mouse touch board with two function button.
- ◆ Front panel with lock to prevent damage by accident.
- ◆ Built-in power.
- ◆ Automatic power on/off. When pulling control platform out from cabinet, the power turns off automatically. When pushing it into the cabinet, the power turns on automatically.
- ◆ An easy to use OSD menu.

Switch

One control platform can control 8/16 computers by direct connection.

One control platform can control 512 computers by 3 level cascade connection.

Be compatible with PS/2, USB standard interface.

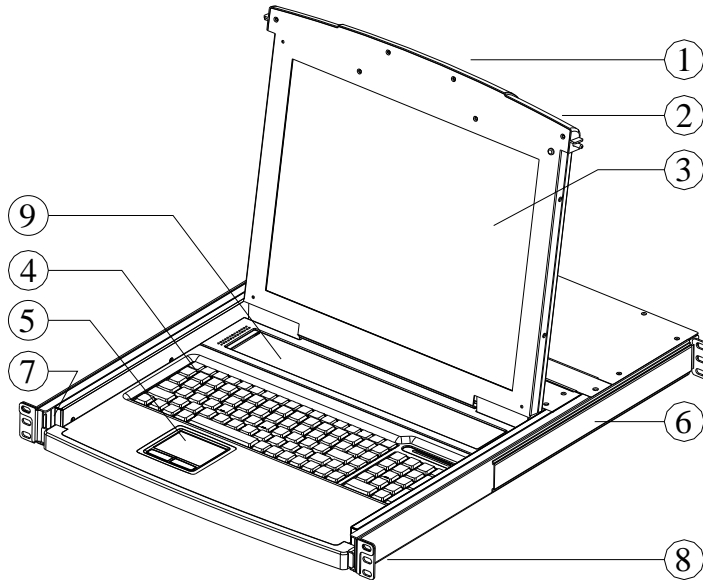
Support VGA, SVGA, XGA video input.

Accord with DDC, DDC2, DDC2B standard and VESA standard.

Support maximum resolution of 2048*1536/75Hz (physical resolution is 1280*1024).

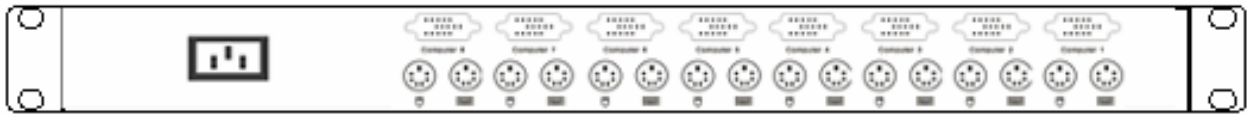
Support multiple operating systems: WIN95/98/98SE/ME/200/XP/NT, UNIX/LINUX.

FRONT VIEW

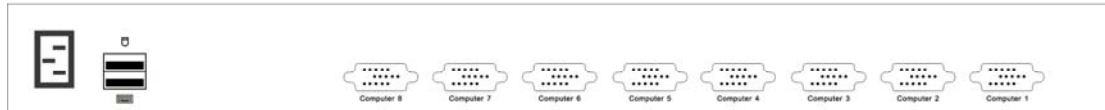


1. Front panel
2. Handle
3. LCD screen
4. Keyboard
5. Mouse touch board
6. Rear hang ear channel
7. Guide
8. Front hang ear
9. LCD OSD control key

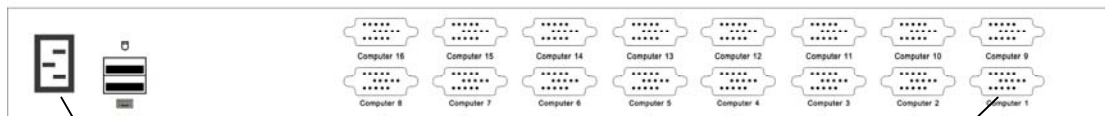
REAR VIEW



XL-DKVM-1508P/XL-DKVM-1708P



XL-DKVM-1508U/XL-DKVM-1708U



XL-DKVM-1516U/XL-DKVM-1716U

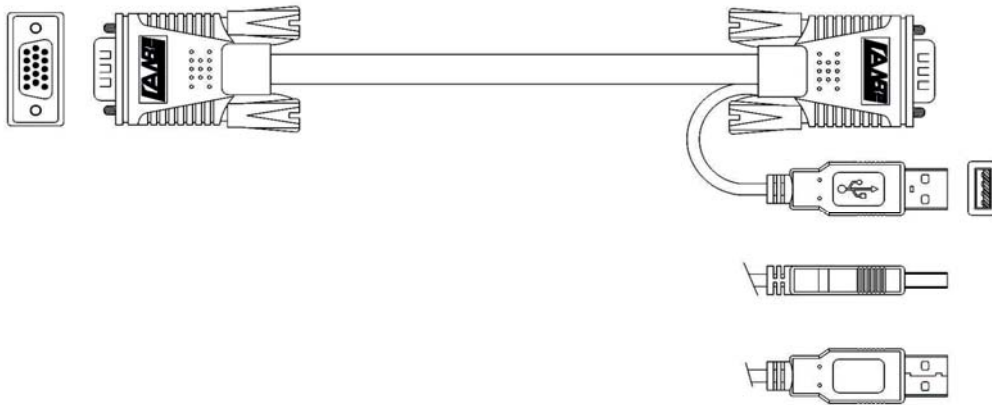
①

②

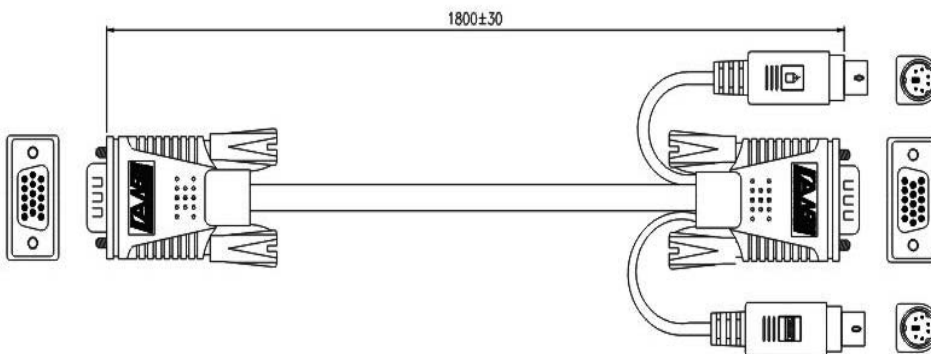
1 - AC socket 2-PC connecting port

KVM CONTROL PLATFORM CONNECTING WIRE

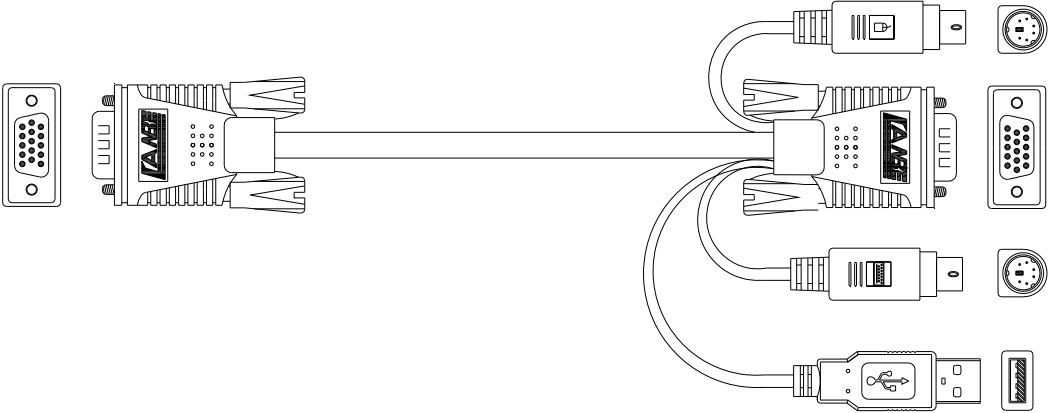
Wire Type	Machine Type	KVM Port	PC or Server Port
USB&PS/2 Connecting Wire	XL-DKVM-1508U XL-DKVM-1516U XL-DKVM-1708U XL-DKVM-1716U	VGA port (Keyboard, mouse and monitor)	VGA, Keyboard, Mouse (Standard PS/2&USB Interface)
PS/2 Connecting Wire	XL-DKVM-1501 XL-DKVM-1701 XL-DKVM-1708P	VGA, Keyboard, Mouse (Standard PS/2 Interface)	VGA, Keyboard, Mouse (Standard PS/2 Interface)



USB connecting wire



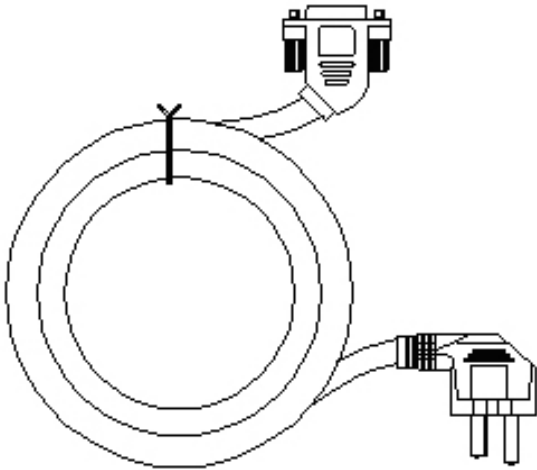
PS/2 connecting wire



USB &PS/2 connecting wire

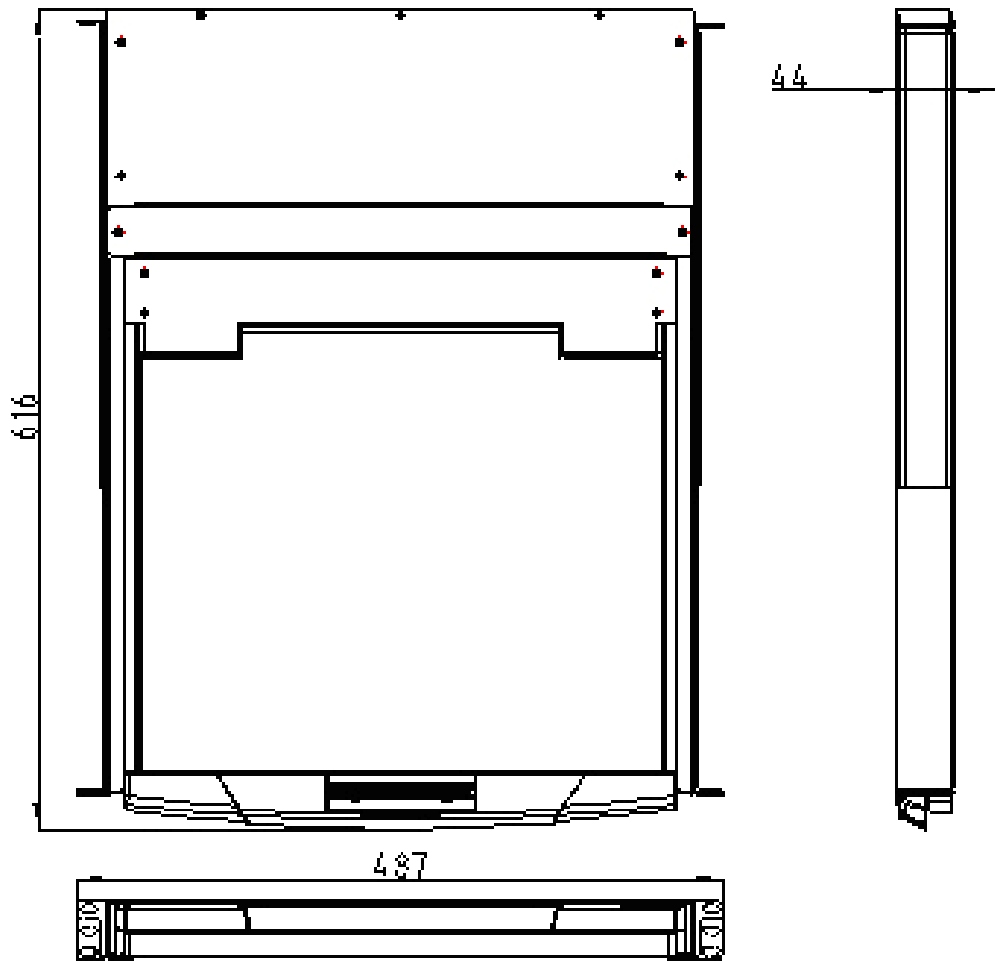
KVM CONTROL PLATFORM POWER WIRE

Wire Type	Note	Voltage Range	Machine Type
AC Power Wire	3 Plugs of National Standard	96-264VAC/47-63Hz	All



AC Power Wire

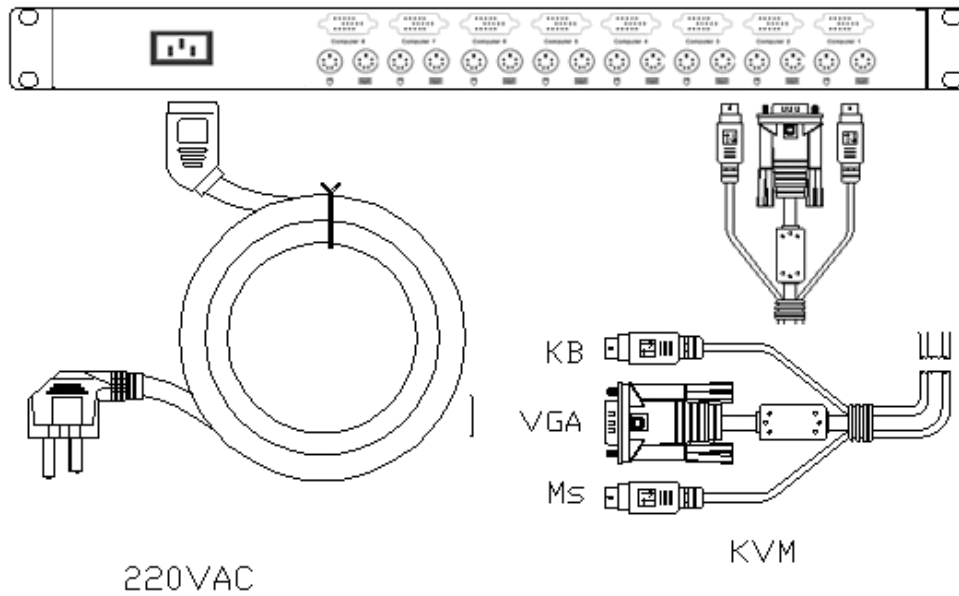
DIMENSION



CONNECTION OF KVM SIGNAL WIRE

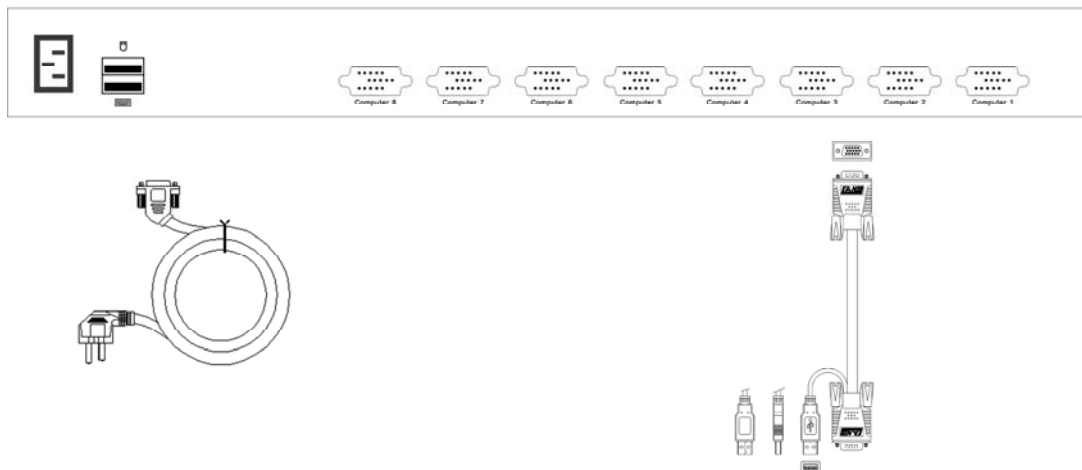
1. PS/2 connecting wire

Connect the end with 3 sockets to the KVM control platform, and the other to the computer.



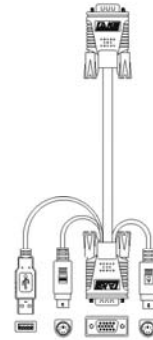
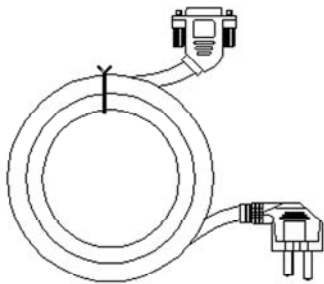
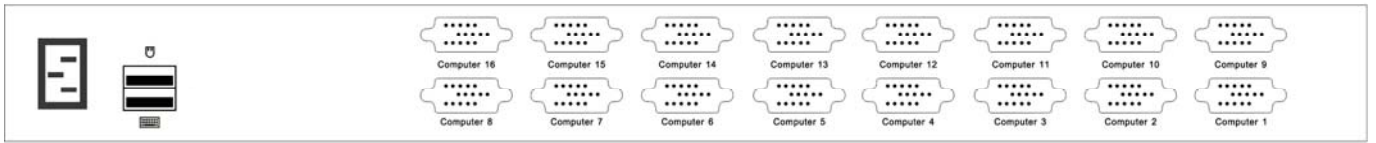
2. USB connecting wire

Connect the end with HD15 to the USB KVM control platform, and the other to the computer.



3. USB & PS/2 connecting wire

Connect the end with HD15 to the PS2 or USB KVM control platform, and the other to the computer.



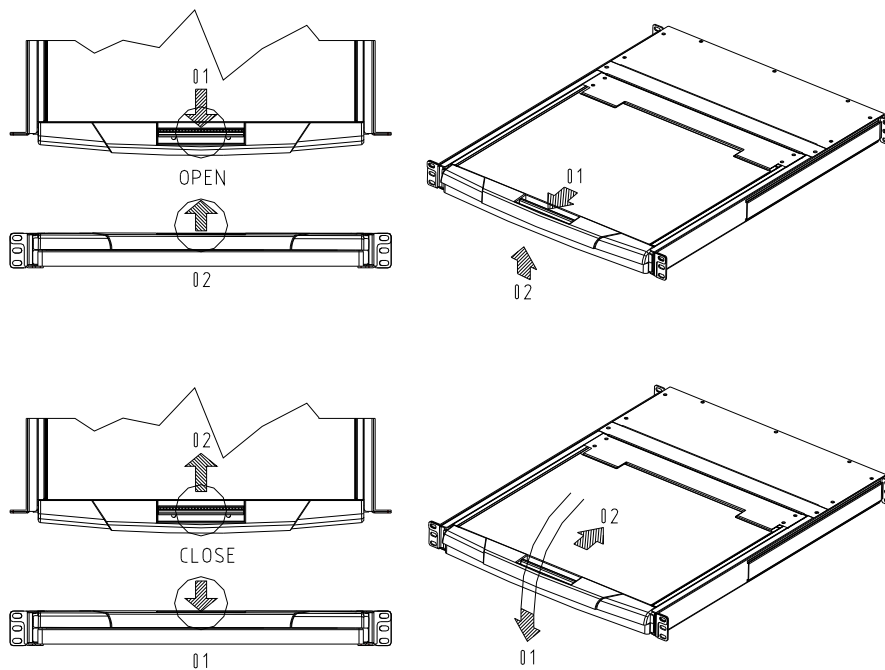
OPERATION

Before Use

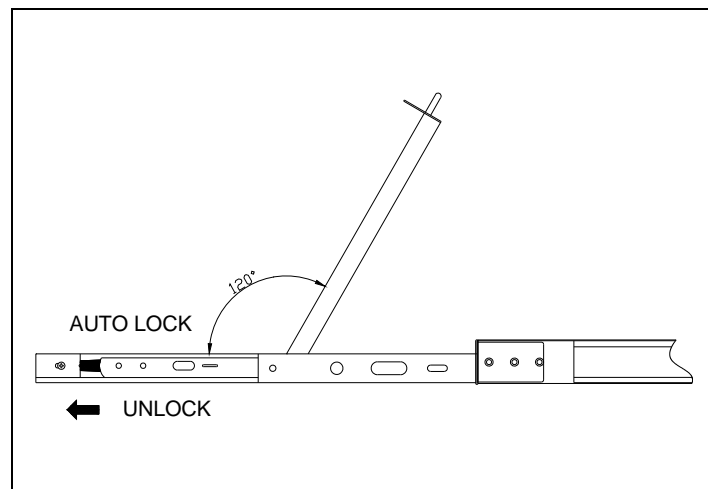
- Make sure all the devices safely grounded.
- Make sure the KVM wire and power wire connected correctly.

During Use

- Pull the KVM control platform out from cabinet totally, the guide locks automatically and the power turns on.
- Release front lock. As shown below:



- Then open the front panel and the LCD can be turn on to 120 degrees. As shown below:



- Press LCD power key (red), the LCD is on.

After Use

- Press LCD power key, the LCD is power off.
- Close LCD panel and lock the front panel.
- Release guide lock.
- Push the control panel into the cabinet totally, and then it is power off.

Hot Plug

The KVM control platform supports hot plug. It can be connected and disconnected without power off. Please follow the steps:

◆ Hot plug PC connecting port:

When hot plugging PC port:

1. The connecting wire must be plugged into the port from which it is pulled out.
2. Plug the mouse before the keyboard.

Note: The KVM control platform must be power on before PC.

Power On/Off and Reboot

If user needs to cut off the power of KVM control platform, please follow the steps before power on again.

1. Cut off the power supply of all computers.

Note:

- 1) The power wire of computer with keyboard power on function must be pulled out. Otherwise, the KVM still receives the power signal from computer.
- 2) If the control unit uses the external power, please pull out external power.
2. After about 10 seconds, power on the KVM control platform.
3. After the KVM switch starts, power on the computers.

INTERFACE SELECTION

There are two ways to select: Hot key and OSD menu.

HOTKEY

The hotkey let the user control the connected computers by keyboard. Please check AUTO SWITCH user manual.