



XL-PB224C

XL-PB224C2

Coaxial Integrated Access System

User's manual
V1.2

Statement

All rights reserved

By the written permission of the Company and no unit or individual will be allowed to extract the contents of this book to copy some or all of any form is not able to disseminate

As the product version upgrades or other reasons for the content of this manual will be updated from time to time unless otherwise agreed by the parties to use this manual only as a guide. The manual recommends that all statements of information and does not constitute any express or implied guarantees.

Safety Notice

1. Please use the product specified power supply. If special circumstances need to use other vendors to provide the power supply, make sure that provide voltage and current in line with the provisions of this product, at the same time recommend the use of certified products through the security, otherwise, may result in fire or electric shock. In using this product, do not damage the power cord to forcibly distorted, stretching Pull and banding, and they must not be under heavy pressure in the folder in goods between or, otherwise, may result in the power cord is damaged, resulting in fire or electric shock.
2. In the use of the former make sure that the environment of temperature and humidity in accordance with the products required. (Since the air-conditioned room to move this product to the natural temperature may cause the product surface or internal components have condensed water vapor, please be the product of natural dry before using the power to open.)
3. Non-technical service personnel not to demolish or repair, or repair or failure may be caused by improper electric shock, fire and so on, resulting in injuries, but also result in failure of your product warranty.
4. Do not use fingers, pin, wire and other metal items, foreign bodies into the air vents and cracks inside. May result in current through the metal or foreign body, causing an electric shock and lead to injury, if the body down into the foreign body or a similar object should be to stop using.
5. Do not be packed in plastic bags discarded or stored in places where young children get to be that if young children in their trap the head, nose and mouth may occur the Department of obstruction, which led to suffocation.
6. Please follow the instructions of the manual method of use, it could result in damage to this product.

Contents

1 Welcome to coax XL-PB Integrated Access System.....	1
1.1 Recognizing XL-PB.....	1
1.1.1 XL-PB224C Terminal Products.....	2
1.1.2 Ports.....	3
1.2 Connect power and network.....	4
1.2.1 Connect Network.....	4
1.2.2 Connect the power.....	5
2 Attachment.....	6
2.1 Specification.....	6
2.1.1 Products Specification.....	6
2.1.2 Environmental Characteristics.....	6
2.1.3 Application Characteristics.....	7
2.1.4 Manage and Maintain.....	7
2.1.5 Modulation.....	7
2.1.6 Instruction and Ports.....	7
2.2 Frequency Question Answer.....	8

1 Welcome to coax XL-PB Integrated Access System

1.1 Recognizing XL-PB

Today's cable networks in households, by telephone twisted pair, power lines and the most common CATV coaxial cable. Also among the coaxial cable which, with its large bandwidth, shielding is good, the high rate of households, business is rich in resources and become an ideal medium for broadband Internet access. However, the existing CATV HFC network is a one-way broadcast, in the rapid development of technology and the demand today, as digital television, digital voice, online games, IPTV and other emerging business and promotion, the user demand for bandwidth keeps to climb, one-way broadcast networks can not meet the new business requirements, upgrading the network will be inevitable. XL-PBW224CW in the existing HFC network based on the construction of a residential area to meet the multi-user (MDU) to use a new type of coaxial cable Integrated Access Ethernet access technology. Its working principle is to use existing coaxial cable network, in its RF spectrum to add Ethernet data channels, without prejudice to the normal work of the existing CATV system, not to the existing network of large-scale changes, the Data CATV signal and the signal with the original transmission, for carrying IP-based data, voice and video and other multimedia services. The transformation of the less cost and engineering will be the original one-way CATV network into a two-way, digital, and can carry multimedia broadband networking platform.

Its advantages in

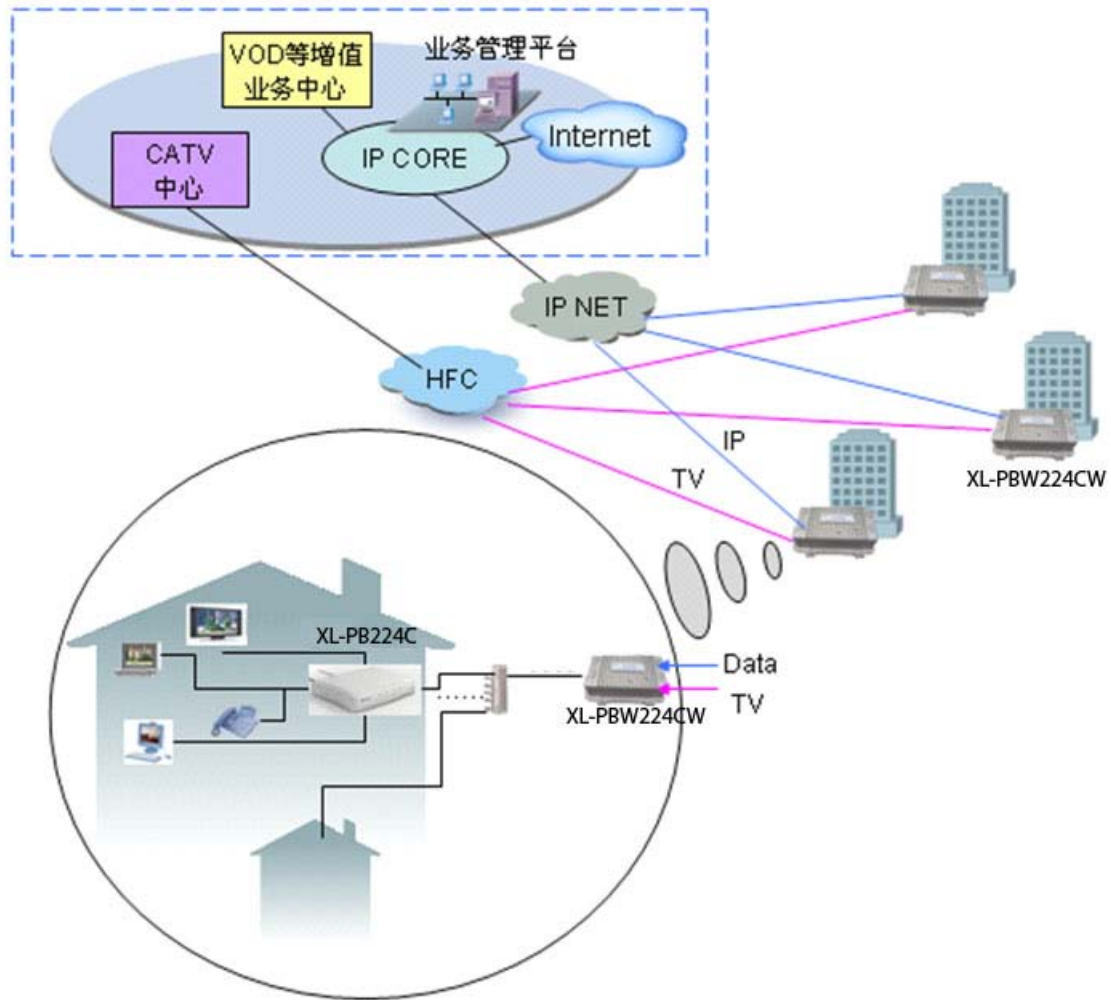
- the need to upgrade the current coaxial network
- no need to re-erection of the new cable to the user's home
- able to provide the same coaxial port RF video signals and Ethernet business
- rapid establishment of a two-way interactive TV business communications reverse transmission channel
- Support for VoIP and IPTV and other IP service access network for data transmission

XL-PB system to bring in the enjoyment of your video / data multiple experience before you recognize your system XL-PB.

XL-PB system products

XL-PB system includes headend equipment and terminal equipment. Its powerful network carrying capacity makes a head-end equipment to support 31 or 63 or even 127 * terminal equipment business. Their applications are as follows topology

*: The actual load with a concrete model version shall prevail



1.1.1 XL-PB224C Terminal Products

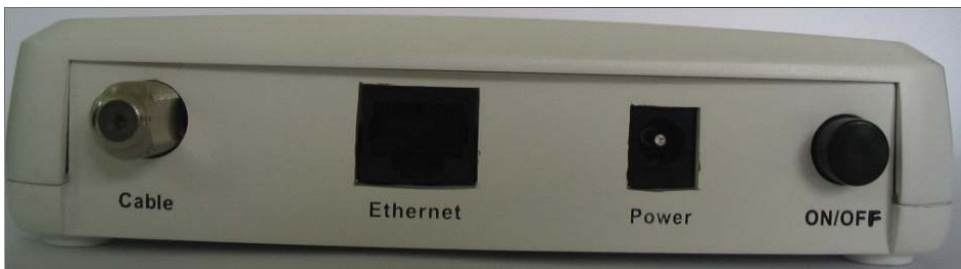
Appearance



Indicator

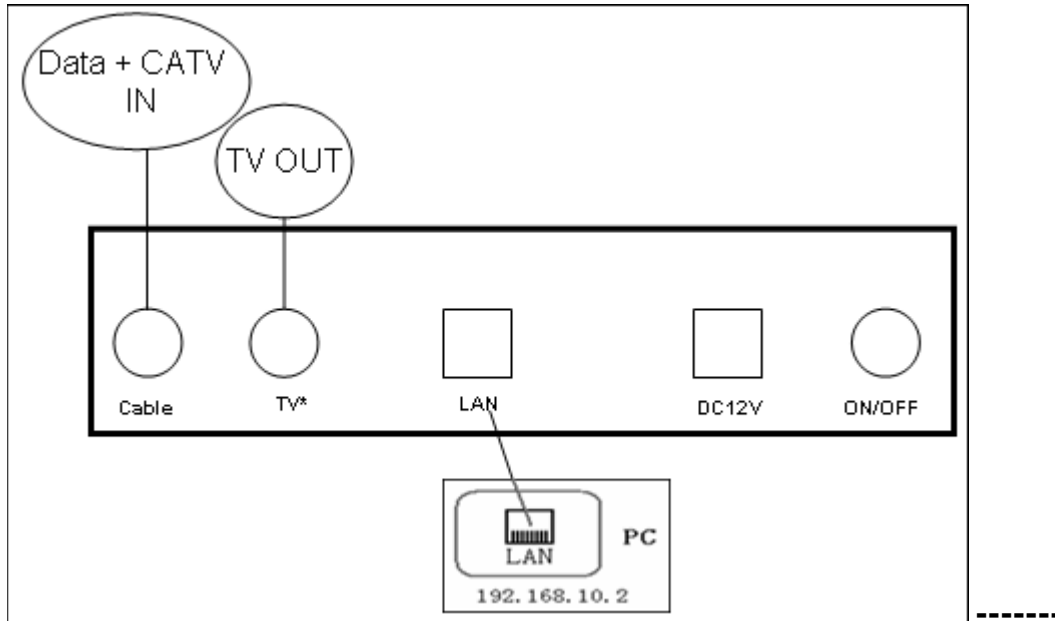
Item	Meaning	Description
POWER	Power Indicator	Light Always have electricity, you can start using the XL-PB.
Syetem	System Indicator	The system to start successfully.
Data	Data Indicator	Successfully connected to the network. Flicker:There are data transmission
Ethernet	LAN network Interface Indicator	LAN port connected to the network. Flicker: There are data transmission.

1.1.2 Ports



Item	Meaning	Description
POWER	Power port	Input:12VDC, 1A.

Ethernet	Network Port	10/100M Adaptive connected computer
CABLE	TV / data integrated access network interface	Metric F-parent head to connect to the Internet.
ON/OFF	Power Switch	Power Switch



XL-PB224C terminal equipment connected diagram as shown above, insert the

power supply before you carefully read the manual on the "safe

Notes. "

Connection

Before you begin using XL-PB224C before the installation of the following:

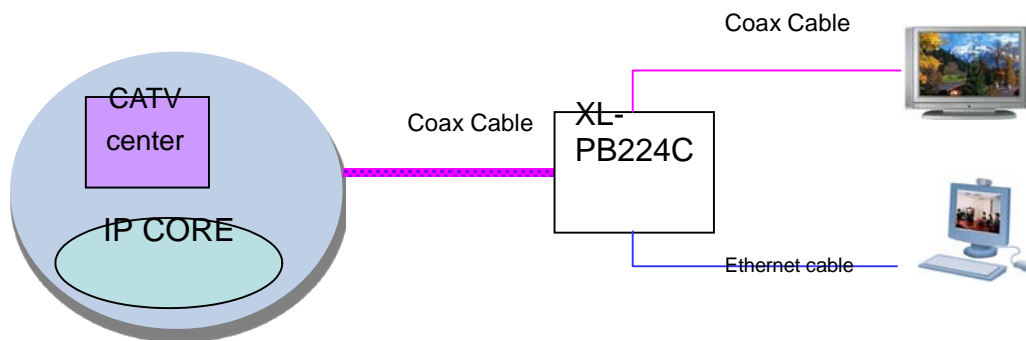
1.2 Connect power and network

1.2.1 Connect Network

In this step, please verify that your network card with a personal computer and set to automatically obtain the IP address of the properties.

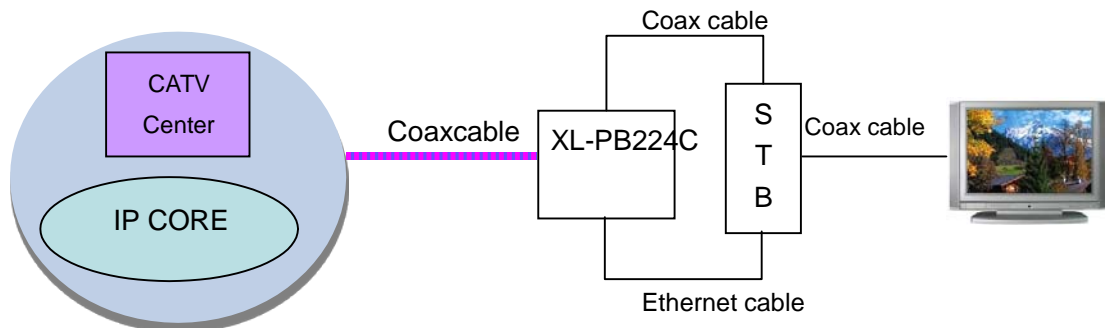
1. Broadband data model

Cable WAN will XL-PB224C the appropriate client households connected to the coaxial cable (make sure the region has opened coaxial have broadband Internet access services), and then XL-PB224C Ethernet line interface RJ45 Ethernet cable to connect to your personal the computer's LAN port, so that the completion of network hardware link.



2. Set-top box return mode

Cable will be the end XL-PB224C appropriate digital set-top boxes connected to the input off, and set-top boxes XL-PB224C the LAN client and connect to the LAN side can return function data.



1.2.2 Connect the power

In this step, please confirm your power connector and the power outlet XL-PB224C line voltage and current at the same time is also in line with XL-PB224C work.

1. To DC power adapter to connect to XL-PB224C the back of the mouth of the DC IN jack

2. The power adapter exchange received a power outlet plugs, XL-PB224C to boot.

3. Boot after the POWER indicator light, about 10 seconds after the System indicator will begin to flicker, the system began to self-test, and then after about 10 seconds, such as monitoring systems are completed and normal, System indicator will Always.

4. At this point in accordance with the network if you have completed these steps, both through XL-PB224C watching television or surfing the Internet.

2 Attachment

2.1 Specification

2.1.1 Products Specification

Item	XL-
Network standard	IEEE802. 3、 IEEE802. 3u
Link standard	IEEE HomePlug BPL
Physical layer bandwidth	224Mbps
Data throughput	Exclusive or shared 50Mbps
Work of the band	2—30MHz
work of a frequency bandwidth	Single Frequency 28MHz,
Broadband multi-carrier number	7 (Wavelet) X128 (carrier) = 896 (Carrier)
Communication	frequency division duplex / full-time
Security	-45dBuV
Network tolerance of the attenuation	70dB (0-60dB range of the average throughput of 50Mbps, 70dB at 35Mbps)
Output	110—135dBuV
Transmission media and impedance	TV Cable 75Ω

Power supply and power consumption	12V/DC 1A
---	-----------

2.1.2 Environmental Characteristics

Temperature	-10—55°C
Working humidity	10%--90%

2.1.3 Application Characteristics

Security	VLAN (IEEE802.1Q) to ensure security and to reduce regional broadcasting
QoS	QoS (802.1p) priority to provide multimedia applications and bandwidth management
IP Multicast	IGMP snooping through the realization of 802.3 multicast and multicast, multicast group of end-use of a common tone map in order to optimize data throughput.

2.1.4 Manage and Maintain

Manage	Telnet、SNMP
---------------	-------------

2.1.5 Modulation

Modulation	OFDM
Modulation	TDMA+CSMA/CA
Modulation Way	None、BPSK、QPSK、16QAM、64QAM、256QAM、1024QAM

2.1.6 Instruction and Ports

LED Power indicator	Power power equipment status indicator Ethernet Ethernet indicator light System System Indicator Data Data Link light
Interface type	RJ45 output data interface (1 or 2) F-type coaxial mixed data entry interface

	RF TV Signal output interface
	DC Power Interface

2.2 Frequency Question Answer

Trouble phenomenon	Solution
POWER light does not shine	<ol style="list-style-type: none"> 1, check the power connector is correct. 2, check the power adapter match
Ethernet Light does not shine	<ol style="list-style-type: none"> 1, Check the validity of the cable connections, check whether the PC card's indicator light lit. 2, Check the card is working correctly, the specific Approach is to look at "Network Adapter" in PC have "?" or "!" Equipment. If so, please remove the equipment and Re-install. 3, otherwise they would be another card slot, if the replacement card is not enough, please.
No TV signal output	<ol style="list-style-type: none"> 1, Make sure Cable interface has been properly connected 2, Make sure that the normal instructions System indicator. 3, Make sure that operators have to apply for opening of related businesses.
Can not access the Internet	<p>Take model commonly used as an example (already installed on your computer dial-up software) explain:</p> <ol style="list-style-type: none"> 1, Make sure the problem does not exist in front. 2, Make sure that PC card property is set to automatically obtain IP address. 3, Make sure that IE browser proxy server settings are correct. 4, Please try to log multiple pages to verify that a site is not due to server failure.