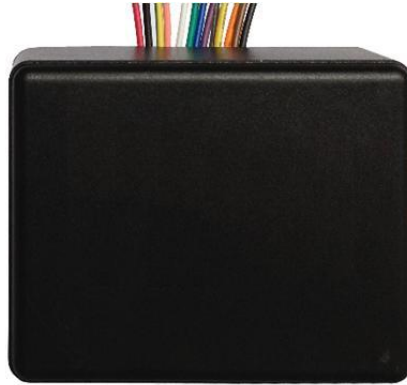


Wiring function of access control extension



Wiring function of access control extension module is shown as in Chart 1- 1. Figure 1

Access Control Extension Module Wiring Function				
Group	Color	Function	Color	Function
4-Pin Cable A	Black	GND	Brown	Door sensor response
	Orange	Alarm input	Yellow	Open button
3-Pin Cable (Lock Control)	Grey	NC	Blue	Public port
	Purple	NO		
4-Pin Cable B	Green	Door station, cascading 485+	Black	Power ground
	White	Door station, cascading 485-	Red	+12V
2-Pin Cable	Pink	Card-reader 485+		
	Yellowgreen	Card-reader 485-		

Chart 1- 1

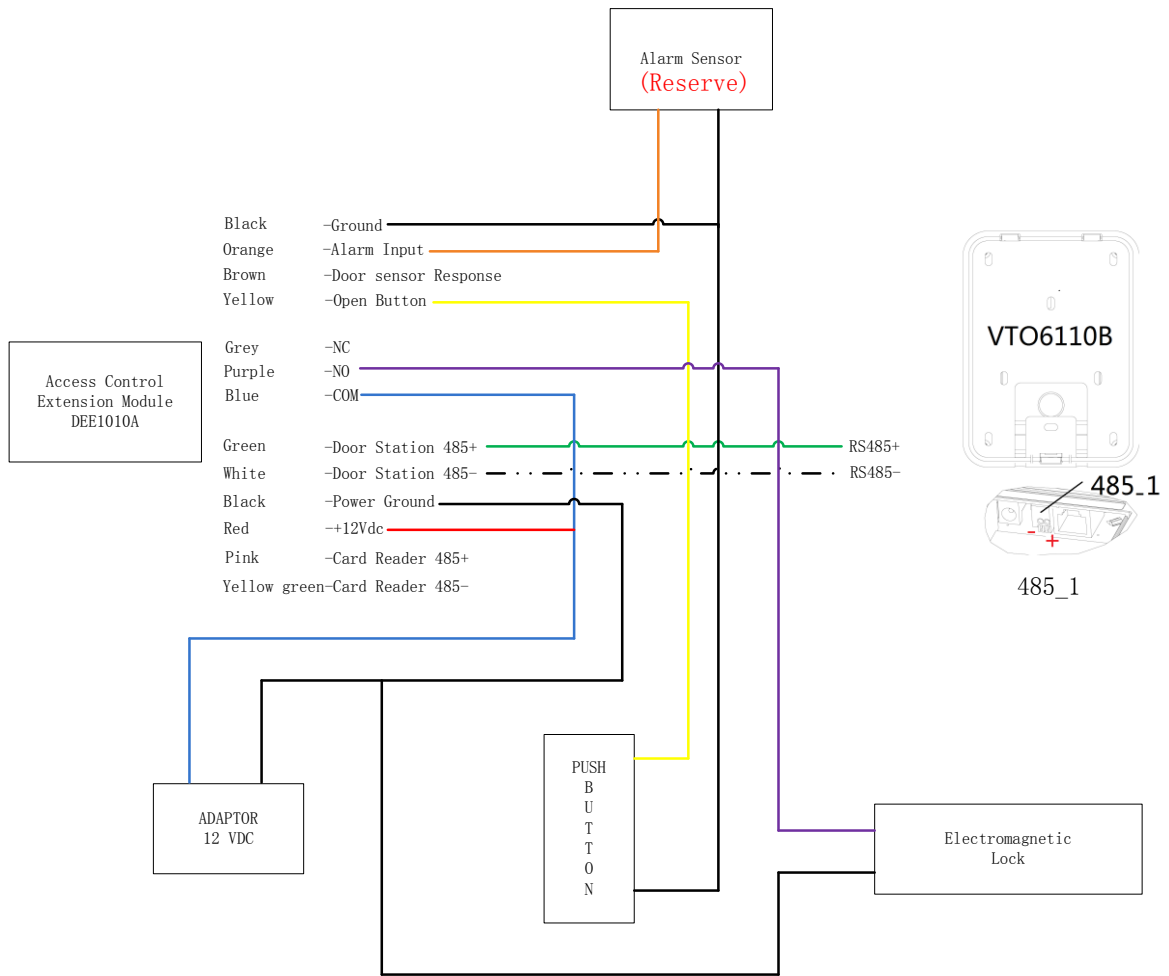


Figure 1