

F75111R/F75111RG/F75111N

Low Power GPIO Datasheet

Release Date: July, 2007
Revision: V0.27P

Fintek
Do Not Copy!
Confidential

F75111 Datasheet Revision History

Version	Date	Page	Revision History
0.20P	01/04/2003		Internal Use Preliminary Public Version
0.21P	09/04/2003	6~8	Add F75111N pin configuration and description
0.22P	02/06/2003	7~8 38~39	(1) Revised pin description of LED function (2) Revised electron characteristic(operating temperature) (3) Revised DC spec (Input high/low leakage current)
0.23P	12/29/2003	21,28	Update register description(Index 0x18, 0x28)
0.24P	4/26/2004	7,8	Update pin description of GPIO pin
0.25P	1/12/2005	8,9	Revise SMBus access timing
0.26P	7/14/2005	36,39	Modify AC Characteristics and delete version ID register
0.27P	7/5/2007	-	Add company address

Please note that all data and specifications are subject to change without notice. All the trade marks of products and companies mentioned in this data sheet belong to their respective owners.

LIFE SUPPORT APPLICATIONS

These products are not designed for use in life support appliances, devices, or systems where malfunction of these products can reasonably be expected to result in personal injury. Customers using or selling these products for use in such applications do so at their own risk and agree to fully indemnify Fintek for any damages resulting from such improper use or sales.

Table of Contents

1. GENERAL DESCRIPTION	4 -
2. FEATURES.....	4 -
3. KEY SPECIFICATIONS	4 -
4. PIN CONFIGURATION	5 -
5. PIN DESCRIPTION	6 -
5.1 POWER PIN	6 -
5.2 GPIO FUNCTION	6 -
6. FUNCTIONAL DESCRIPTION.....	8 -
6.1 GENERAL DESCRIPTION	8 -
6.2 ACCESS INTERFACE	8 -
6.3 THE SMBUS ACCESS TIMING ARE SHOWN AS FOLLOW:	8 -
7. REGISTERS DESCRIPTION	9 -
7.1 CONFIGURATION AND CONTROL REGISTER – INDEX 01H	9 -
7.2 STATUS REGISTER – INDEX 02H	10 -
7.3 CONFIGURATION AND FUNCTION SELECT REGISTER – INDEX 03H.....	10 -
7.4 PIN MODE FUNCTION SELECT REGISTER – INDEX 04H	11 -
7.5 PIN MODE FUNCTION SELECT REGISTER – INDEX 05H	11 -
7.6 LED FREQ CONTROL REGISTER – INDEX 06H	12 -
7.7 LED FREQ CONTROL REGISTER – INDEX 07H	13 -
7.8 LED FREQ CONTROL REGISTER – INDEX 08H	13 -
7.9 LED FREQ CONTROL REGISTER – INDEX 09H	14 -
7.10 GPIO1X OUTPUT CONTROL REGISTER – INDEX 10H	15 -
7.11 GPIO1X OUTPUT DATA REGISTER – INDEX 11H.....	16 -
7.12 GPIO1X INPUT STATUS REGISTER – INDEX 12H	16 -
7.13 GPIO1X LEVEL/PULSE CONTROL REGISTER – INDEX 13H	17 -
7.14 GPIO1X PULSE WIDTH CONTROL REGISTER – INDEX 14H.....	17 -
7.15 GPIO1X PULL-UP RESISTOR CONTROL REGISTER – INDEX 15H.....	18 -
7.16 GPIO1X INPUT DE-BOUNCE REGISTER – INDEX 16H	18 -
7.17 GPIO1X PULSE INVERSE REGISTER – INDEX 17H	19 -
7.18 GP1X EDGE DETECTOR ENABLE REGISTER – INDEX 0x18	19 -
7.19 GP1X EDGE DETECTOR STATUS REGISTER – INDEX 0x19	20 -
7.20 GP1X IRQ OR SMI# ENABLE REGISTER – INDEX 0x1A.....	21 -

F75111

7.21 GP1X OUTPUT DRIVING ENABLE – INDEX 0x1B	- 21 -
7.22 GP1X OUTPUT DRIVING ENABLE – INDEX 0x1C	- 22 -
7.23 GPIO2X OUTPUT CONTROL REGISTER – INDEX 20H	- 23 -
7.24 GPIO2X OUTPUT DATA REGISTER – INDEX 21H	- 23 -
7.25 GPIO2X INPUT STATUS REGISTER – INDEX 22H	- 24 -
7.26 GPIO2X LEVEL/PULSE CONTROL REGISTER – INDEX 23H	- 24 -
7.27 GPIO2X PULSE WIDTH CONTROL REGISTER – INDEX 24H	- 25 -
7.28 GPIO2X PULL-UP RESISTOR CONTROL REGISTER – INDEX 25H	- 25 -
7.29 GPIO2X INPUT DE-BOUNCE REGISTER – INDEX 26H	- 25 -
7.30 GPIO2X PULSE INVERSE REGISTER – INDEX 27H	- 26 -
7.31 GP2X EDGE DETECTOR ENABLE REGISTER – INDEX 0x28	- 27 -
7.32 GP2X EDGE DETECTOR STATUS REGISTER – INDEX 0x29	- 28 -
7.33 GP2X IRQ OR SMI# ENABLE REGISTER – INDEX 0x2A	- 28 -
7.34 GP2X OUTPUT DRIVING ENABLE – INDEX 0x2B	- 29 -
7.35 GP2X OUTPUT DRIVING ENABLE – INDEX 0x2C	- 29 -
7.36 WDTOUT CONTROL REGISTER – INDEX 34H	- 30 -
7.37 WDTOUT10 CONTROL REGISTER – INDEX 35H	- 30 -
7.38 WATCHDOG TIMER CONTROL REGISTER – INDEX 36H	- 31 -
7.39 WATCHDOG TIMER RANGE REGISTER – INDEX 37H	- 31 -
7.40 GPIO3X OUTPUT CONTROL REGISTER – INDEX 40H	- 32 -
7.41 GPIO3X OUTPUT DATA REGISTER – INDEX 41H	- 32 -
7.42 GPIO3X INPUT STATUS REGISTER – INDEX 42H	- 32 -
7.43 GPIO3X LEVEL/PULSE CONTROL REGISTER – INDEX 43H	- 33 -
7.44 GPIO3X PULSE WIDTH CONTROL REGISTER – INDEX 44H	- 33 -
7.45 GPIO3X INPUT DE-BOUNCE REGISTER – INDEX 46H	- 33 -
7.46 GPIO3X PULSE INVERSE REGISTER – INDEX 47H	- 34 -
7.47 GP3X EDGE DETECTOR ENABLE REGISTER – INDEX 0x48	- 34 -
7.48 GP3X EDGE DETECTOR STATUS REGISTER – INDEX 0x49	- 34 -
7.49 GP3X IRQ OR SMI# ENABLE REGISTER – INDEX 0x4A	- 35 -
7.50 GP3X OUTPUT DRIVING ENABLE – INDEX 0x4C	- 35 -
7.51 CHIPID(1) REGISTER – INDEX 5AH	- 36 -
7.52 CHIPID(2) REGISTER – INDEX 5BH	- 36 -
7.53 VENDOR ID(1) REGISTER – INDEX 5DH	- 36 -
7.54 VENDOR ID(2) REGISTER – INDEX 5EH	- 36 -
8. ELECTRON CHARACTERISTIC	- 37 -
8.1 ABSOLUTE MAXIMUM RATINGS	- 37 -

F75111

8.2 DC CHARACTERISTICS	- 37 -
8.3 AC CHARACTERISTICS	- 39 -
9. ORDERING INFORMATION	- 40 -
10. PACKAGE DIMENSIONS	- 40 -
F75111 DEMO CIRCUIT	- 43 -

Fintek Confidential
Do Not Copy!

1. General Description

F75111 is a low power general purpose IO chip providing 20 GPIO. Most GPIO pins can be programmed to be power LED. Level or pulse modes can be programmed by registers. Two power-down modes (manual or Smart) can be selected to save power and control the total consumption under 10uA, so F75111 can fit the requirement of mobile device such as Smart Phone, PDA or cell phone.

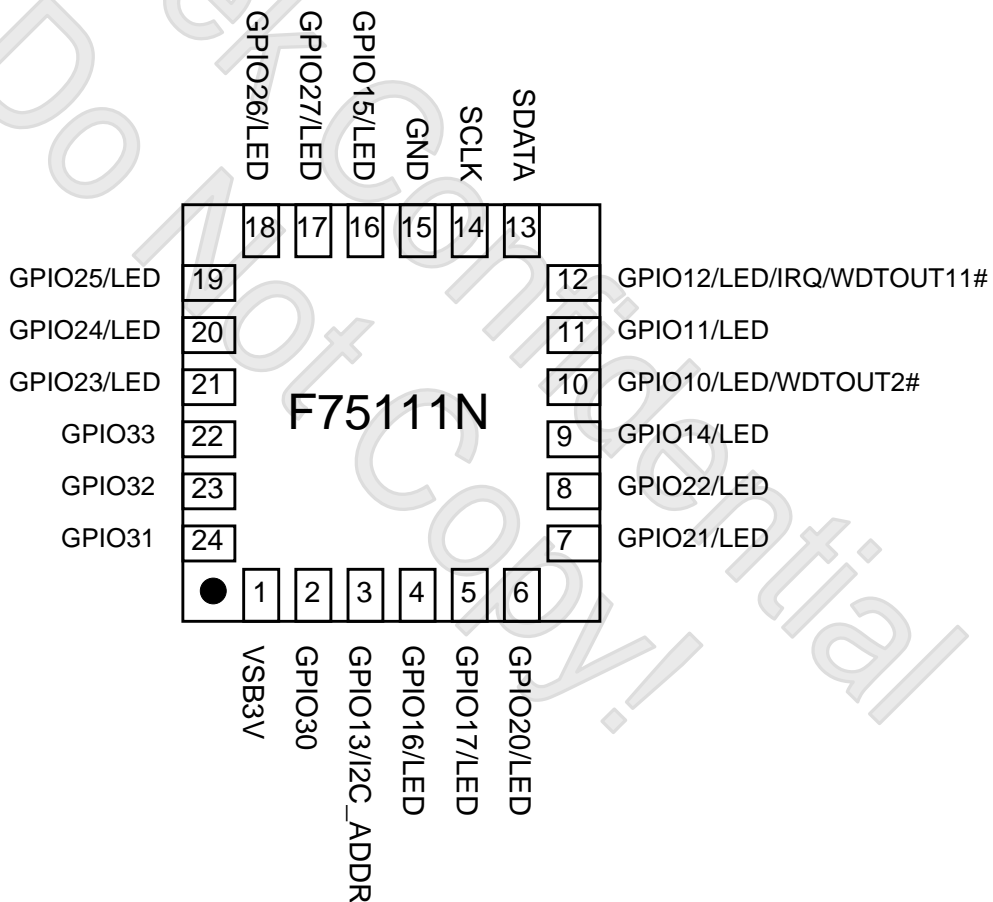
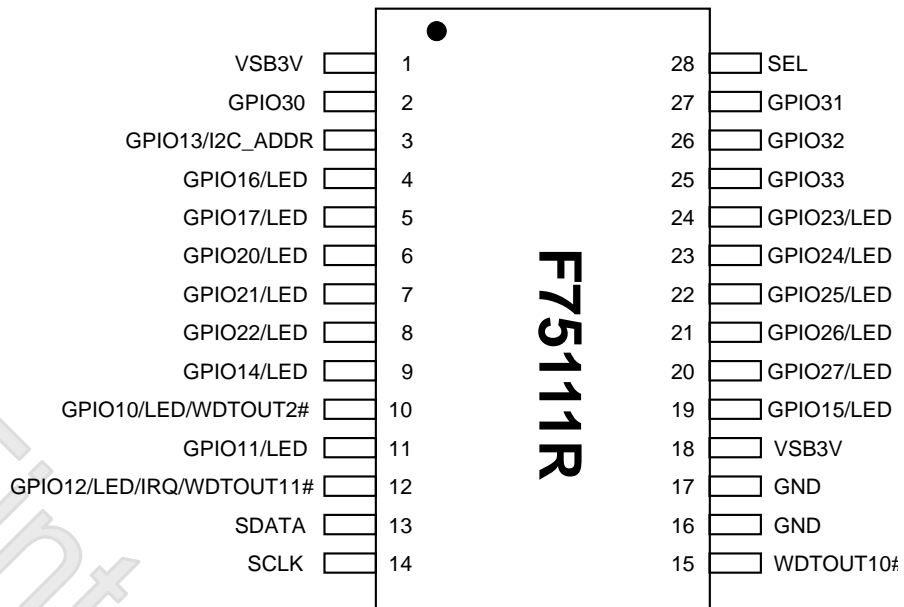
2. Features

- Support up to 20 GPIO pins
- Two power down mode selection --- Manual or Smart Power Management mode
- 15 pins can be programmed to be LED
- Each GPIO pin can be programmed to be high/low level or pulse
- Each GPIO pin has de-bounce function
- Two sets of watch dog timer
- SMBus address selected pin to expand up to 2 devices
- SMBus interface
- 3VCC operation
- Package in 28-SSOP(150mil) / 24QFN package(4mm x 4mm)

3. Key Specifications

- Supply Voltage 3.0V to 3.6V
- Operating Supply Current 300uA typ.
- Power Down Current 3uA typ.

4. Pin Configuration



5. Pin Description

- I/O_{12t} - TTL level bi-directional pin with 12 mA source-sink capability
- I/O_{12ts} - TTL level and schmitt trigger
- I/OOD_{12t} - TTL level bi-directional pin, can select to OD or OUT by register, with 12 mA source-sink capability
- I/OD₁₂ - TTL level bi-directional pin, Open-drain output with 12 mA sink capability
- OUT₁₂ - Output pin with 12 mA source-sink capability
- I/O_{14t} - TTL level bi-directional pin with 14 mA source-sink capability
- I/OOD_{16t} - TTL level bi-directional pin, can select to OD or OUT by register, with 16 mA source-sink capability
- OD₁₂ - Open-drain output pin with 12 mA sink capability
- OD₁₄ - Open-drain output pin with 14 mA sink capability
- OD_{14ts} - Open-drain output pin with 14 mA sink capability, TTL level and schmitt trigger
- IN_t - TTL level input pin
- IN_{ts} - TTL level input pin and schmitt trigger
- P - Power

5.1 Power Pin

Pin No.		Pin Name	Type	Description
F75111R/RG	F75111N			
1,18	1	VSB3V	P	Standard Power Supply Voltage Input with 3.3V
16,17	15	GND	P	GND

5.2 GPIO Function

Pin No.		Pin Name	Type	Description
F75111R/RG	F75111N			
4 ~ 9	4 ~ 9	GPIO16/17/20/ 21/22/14	I/OOD _{16ts} (5V Tolerance)	General purpose I/O pins.
		LED	OD ₁₆	LED control output. The multi-function pin is selected by register, so does the freq. programming
19~24	16~21	GPIO15/27/26/ 25/24/23	I/OOD _{16ts} (5V Tolerance)	General purpose I/O pins.
		LED	OD ₁₆	LED control output. The multi-function pin is selected by register, so does the freq. programming

2, 27~25	2, 22~24	GPIO30/33/32/ 31	I/OD _{12ts} (5V Tolerance)	General purpose I/O pins.
3	3	GPIO13	I/O _{16ts} (5V Tolerance)	General purpose I/O pin.
		I2C_ADDR	IN _{1sd100k}	The SMBus hardware power on setting pin. Default address is 0x9C (when I2C_ADDR=0). Another one is 0x6E (when I2C_ADDR=1). This pin internal pull-down 100k to Ground. If this pin is pull-up 10k to VSB3V, this pin will be trapped to 1.
10	10	GPIO10	I/OOD _{16ts} (5V Tolerance)	General purpose I/O pin.
		LED	OD ₁₆	LED control output. The multi-function pin is selected by register, so does the freq. programming
		WDTOUT2#	OD ₁₆	The 2 nd Watch Dog Timer time out output
11	11	GPIO11	I/OOD _{16ts} (5V Tolerance)	General purpose I/O pin.
		LED	OD ₁₆	LED control output. The multi-function pin is selected by register, so does the freq. programming
12	12	GPIO12	I/OOD _{16ts} (5V Tolerance)	General purpose I/O pin.
		LED	OD ₁₆	LED control output. The multi-function pin is selected by register, so does the freq. programming
		IRQ	OD ₁₆	IRQ and SMI# function
		WDTOUT11#	OD ₁₆	The 1 st Watch Dog Timer time out output. System reset signal when the Reset-Out timer is time out. This pin will generate 100mS pulse (default) when the Reset-Out timer is timeout.
15	-	WDTOUT10#	OD ₁₂	The 1 st Watch Dog Timer time out output. System reset signal when the Reset-Out timer is time out. This pin will generate 100mS pulse (default) when the Reset-Out timer is timeout.
28	-	SEL	IN _{1sd100k}	Default pull down.
13	13	SDATA	I/OD _{12ts}	SMBus data.
14	14	SCLK	IN _{1s}	SMBus clock

6. Functional Description

6.1 General Description

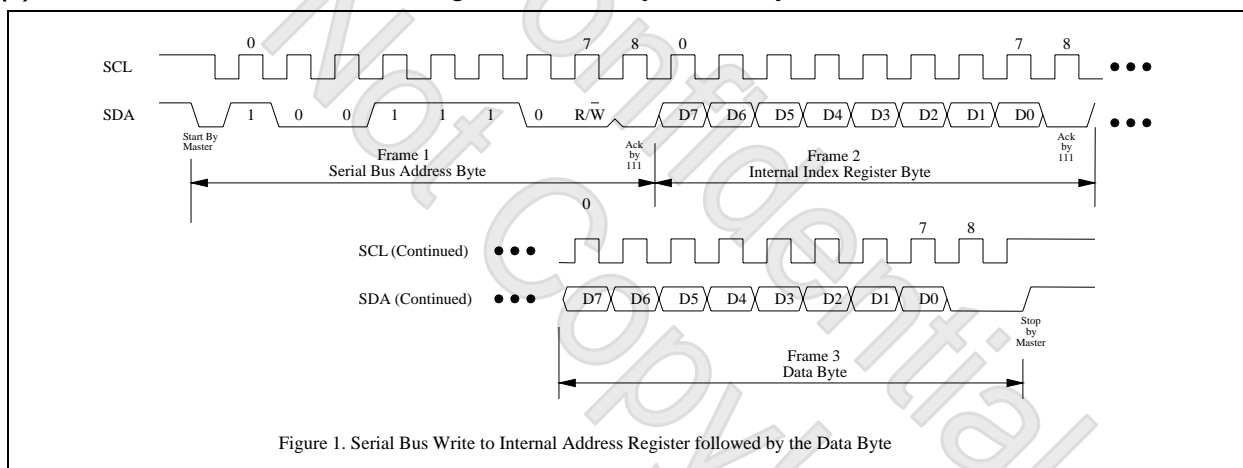
Dedicate GPIO functions. That includes two sets of watchdog timer. One Set of Watchdog timer timeout unit is set to second and range is 0 to 127 seconds. The other Watchdog timer is set to second or minute and the range is 0 to 256 seconds or minutes. When the timeout has occurred, that will generate a status bit to indicate it and write one will be clear. All GPIO can be programmed to logic one or zero or high pulse or low pulse.

6.2 Access Interface

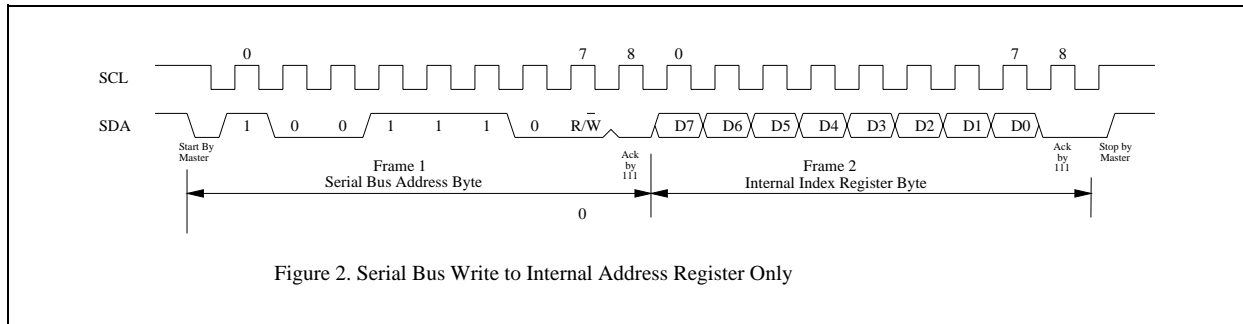
The F75111 provides one serial access interface, I2C Bus, to read/write internal registers. The address of Serial Bus is configurable by using power-on trapping of standby power VBS3V. The pin 3 (GPIO13/I2C _ADDR) is multi-function pin. During the VSB3V power-on, this pin serves as input detection of logic high or logic low. This pin is default pull-down resistor with 100K ohms mapping the Serial Bus address 0x9C (1001_1100). Another Serial Bus address 0x6E (0110_1110) is set when external pull-up resistor with 10K ohms is connected in this pin.

6.3 The SMBus access timing are shown as follow:

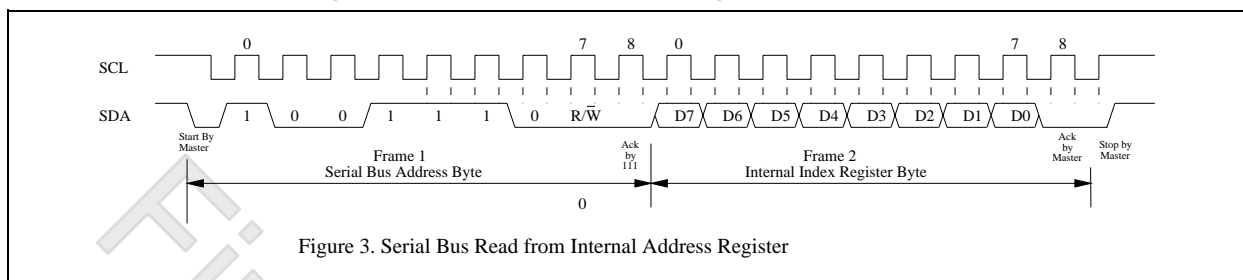
(a) SMBus write to internal address register followed by the data byte



(b) Serial bus write to internal address register only



(c) Serial bus read from a register with the internal address register prefer to desired location



7. Registers Description

7.1 Configuration and Control Register – Index 01h

Power-on default [7:0] =0000_1000b

Bit	Name	R/W	PWR	Description
7	INIT	R/W	VSB3V	Software reset for all registers including Test Mode registers. Users use only.
6	Reserved	R/W	VSB3V	
5	EN_WDT10	R/W	VSB3V	Enable Reset Out. If set to 1, enable WDTOUT10# output. Default is disable.
4	Reserved	R/W	VSB3V	
3	Reserved	R/W	VSB3V	
2	Reserved	R/W	VSB3V	
1	SMART_POWER_MANAGEMENT	R/W	VSB3V	Set this bit to 1 will enable auto power down mode, when all function are idle then 20ms the chip will auto power down, it will wakeup when GPIO state change or read write register
0	SOFT_POWER_DOWN	R/W	VSB3V	Set this bit to 1 will power down all of the analog block and stop internal clock, write 0 to clear this bit or when GPIO state change will auto clear this bit to 0.

7.2 Status Register – Index 02h

Power-on default [7:0] =0000_000xb

Bit	Name	R/W	PWR	Description
7-4	Reserved	RO	VSB3V	
3	POWR_DOWN	RO	VSB3V	If this bit is set to 1, it mean the chip is in power down mode
2	Reserved	RO	VSB3V	Read back will be "0"
1	I2C_ADDR	RO	VSB3V	GPIO serial bus address Select. Internal pull-down 100K ohms are address 0x9C. If external is pull-up 4.7K ohms, the address is 0x6E. This pin is trapped during the VSB3VOK.
0	Reserved	RO	VSB3V	

7.3 Configuration and function select Register – Index 03h

Power-on default [7:0] =0000_0000b

Bit	Name	R/W	PWR	Description
7	Reserved	RO	VSB3V	
6	IRQ_LEVEL	R/W	VSB3V	Select IRQ Polarity (Level). Set to 1, IRQ is low active and SMI# is high active. Default, the IRQ is high active and SMI# is low active.
5	IRQ_MODE	R/W	VSB3V	IRQ/SMI# mode select. 0 – Level mode (IRQ mode), 1 – Pulse Mode (SMI# mode). If pulse mode is selected, the active pulse is over 100us.
4-3	PIN12_MODE	R/W	VSB3V	00: GPIO12 01: LED12 IN this mode can use REG 0x06(bit5,4) to select LED frequency. 10: IRQ 11: WDTOUT11#:
2	PIN11_MODE	R/W	VSB3V	0: GPIO11 1: LED11 IN this mode can use REG 0x06(bit3,2) to select LED frequency.
1-0	PIN10_MODE	R/W	VSB3V	00: GPIO10 01: LED10 IN this mode can use REG 0x06(bit1,0) to select LED frequency. 10,11: WD_OUT

7.4 Pin mode function select Register – Index 04h

Power-on default [7:0] =0000_0000b

Bit	Name	R/W	PWR	Description
7	PIN20_MODE	R/W	VSB3V	0: GPIO27 1: LED27 IN this mode can use REG 0x09(bit7, 6) to select LED frequency.
6	PIN19_MODE	R/W	VSB3V	0: GPIO15 1: LED15 IN this mode can use REG 0x07(bit3, 2) to select LED frequency.
5	PIN9_MODE	R/W	VSB3V	0: GPIO14 1: LED14 IN this mode can use REG 0x07(bit1, 0) to select LED frequency.
4	PIN8_MODE	R/W	VSB3V	0: GPIO22 1: LED22 IN this mode can use REG 0x08(bit5, 4) to select LED frequency.
3	PIN7_MODE	R/W	VSB3V	0: GPIO21 1: LED21 IN this mode can use REG 0x08(bit3, 2) to select LED frequency.
2	PIN6_MODE	R/W	VSB3V	0: GPIO20 1: LED20 IN this mode can use REG 0x08(bit1, 0) to select LED frequency.
1	PIN5_MODE	R/W	VSB3V	0: GPIO17 1: LED17 IN this mode can use REG 0x07(bit7, 6) to select LED frequency.
0	PIN4_MODE	R/W	VSB3V	0: GPIO16 1: LED16 IN this mode can use REG 0x07(bit5, 4) to select LED frequency.

7.5 Pin mode function select Register – Index 05h

Power-on default [7:0] =0000_0000b

Bit	Name	R/W	PWR	Description
7-4	Reserved	RO		
3	PIN24_MODE	R/W	VSB3V	0: GPIO23

				1: LED23 IN this mode can use REG 0x08(bit7, 6) to select LED frequency.
2	PIN23_MODE	R/W	VSB3V	0: GPIO24 1: LED24 IN this mode can use REG 0x09(bit1, 0) to select LED frequency.
1	PIN22_MODE	R/W	VSB3V	0: GPIO25 1: LED25 IN this mode can use REG 0x09(bit3, 2) to select LED frequency.
0	PIN21_MODE	R/W	VSB3V	0: GPIO26 1: LED26 IN this mode can use REG 0x09(bit5, 4) to select LED frequency.

7.6 LED Freq Control Register – Index 06h

Power-on default [7:0] =0000_0000b

Bit	Name	R/W	PWR	Description										
7-6	Reserved	R/W	VSB3V											
5-4	LED12_FREQ	R/W	VSB3V	LED output frequency. <table border="1" data-bbox="667 1227 1489 1473"> <thead> <tr> <th>Bit</th> <th>Description</th> </tr> </thead> <tbody> <tr> <td>00</td> <td>Tri-state (default).</td> </tr> <tr> <td>01</td> <td>0.5Hz (period is 2 seconds, duty cycle is 50%)</td> </tr> <tr> <td>10</td> <td>1 Hz (period is 1 second)</td> </tr> <tr> <td>11</td> <td>Low.</td> </tr> </tbody> </table>	Bit	Description	00	Tri-state (default).	01	0.5Hz (period is 2 seconds, duty cycle is 50%)	10	1 Hz (period is 1 second)	11	Low.
Bit	Description													
00	Tri-state (default).													
01	0.5Hz (period is 2 seconds, duty cycle is 50%)													
10	1 Hz (period is 1 second)													
11	Low.													
3-2	LED11_FREQ	R/W	VSB3V	LED output frequency. <table border="1" data-bbox="667 1525 1489 1771"> <thead> <tr> <th>Bit</th> <th>Description</th> </tr> </thead> <tbody> <tr> <td>00</td> <td>Tri-state (default).</td> </tr> <tr> <td>01</td> <td>0.5Hz (period is 2 seconds, duty cycle is 50%)</td> </tr> <tr> <td>10</td> <td>1 Hz (period is 1 second)</td> </tr> <tr> <td>11</td> <td>Low.</td> </tr> </tbody> </table>	Bit	Description	00	Tri-state (default).	01	0.5Hz (period is 2 seconds, duty cycle is 50%)	10	1 Hz (period is 1 second)	11	Low.
Bit	Description													
00	Tri-state (default).													
01	0.5Hz (period is 2 seconds, duty cycle is 50%)													
10	1 Hz (period is 1 second)													
11	Low.													
1-0	LED10_FREQ	R/W	VSB3V	LED output frequency. <table border="1" data-bbox="667 1823 1489 2069"> <thead> <tr> <th>Bit</th> <th>Description</th> </tr> </thead> <tbody> <tr> <td>00</td> <td>Tri-state (default).</td> </tr> <tr> <td>01</td> <td>0.5Hz (period is 2 seconds, duty cycle is 50%)</td> </tr> <tr> <td>10</td> <td>1 Hz (period is 1 second)</td> </tr> <tr> <td>11</td> <td>Low.</td> </tr> </tbody> </table>	Bit	Description	00	Tri-state (default).	01	0.5Hz (period is 2 seconds, duty cycle is 50%)	10	1 Hz (period is 1 second)	11	Low.
Bit	Description													
00	Tri-state (default).													
01	0.5Hz (period is 2 seconds, duty cycle is 50%)													
10	1 Hz (period is 1 second)													
11	Low.													

7.7 LED Freq Control Register – Index 07h

Power-on default [7:0] =0000_0000b

Bit	Name	R/W	PWR	Description	
7-6	LED17_FREQ	R/W	VSB3V	LED output frequency.	
				Bit	Description
				00	Tri-state (default).
				01	0.5Hz (period is 2 seconds, duty cycle is 50%)
				10	1 Hz (period is 1 second)
11	Low.				
5-4	LED16_FREQ	R/W	VSB3V	LED output frequency.	
				Bit	Description
				00	Tri-state (default).
				01	0.5Hz (period is 2 seconds, duty cycle is 50%)
				10	1 Hz (period is 1 second)
11	Low.				
3-2	LED15_FREQ	R/W	VSB3V	LED output frequency.	
				Bit	Description
				00	Tri-state (default).
				01	0.5Hz (period is 2 seconds, duty cycle is 50%)
				10	1 Hz (period is 1 second)
11	Low.				
1-0	LED14_FREQ	R/W	VSB3V	LED output frequency.	
				Bit	Description
				00	Tri-state (default).
				01	0.5Hz (period is 2 seconds, duty cycle is 50%)
				10	1 Hz (period is 1 second)
11	Low.				

7.8 LED Freq Control Register – Index 08h

Power-on default [7:0] =0000_0000b

Bit	Name	R/W	PWR	Description
-----	------	-----	-----	-------------

7-6	LED23_FREQ	R/W	VSB3V	LED output frequency.	
				Bit	Description
				00	Tri-state (default).
				01	0.5Hz (period is 2 seconds, duty cycle is 50%)
				10	1 Hz (period is 1 second)
11	Low.				
5-4	LED22_FREQ	R/W	VSB3V	LED output frequency.	
				Bit	Description
				00	Tri-state (default).
				01	0.5Hz (period is 2 seconds, duty cycle is 50%)
				10	1 Hz (period is 1 second)
11	Low.				
3-2	LED21_FREQ	R/W	VSB3V	LED output frequency.	
				Bit	Description
				00	Tri-state (default).
				01	0.5Hz (period is 2 seconds, duty cycle is 50%)
				10	1 Hz (period is 1 second)
11	Low.				
1-0	LED20_FREQ	R/W	VSB3V	LED output frequency.	
				Bit	Description
				00	Tri-state (default).
				01	0.5Hz (period is 2 seconds, duty cycle is 50%)
				10	1 Hz (period is 1 second)
11	Low.				

7.9 LED Freq Control Register – Index 09h

Power-on default [7:0] =0000_0000b

Bit	Name	R/W	PWR	Description
7-6	LED27_FREQ	R/W	VSB3V	LED output frequency.
				Bit

				00	Tri-state (default).
				01	0.5Hz (period is 2 seconds, duty cycle is 50%)
				10	1 Hz (period is 1 second)
				11	Low.
5-4	LED26_FREQ	R/W	VSB3V	LED output frequency.	
				Bit	Description
				00	Tri-state (default).
				01	0.5Hz (period is 2 seconds, duty cycle is 50%)
				10	1 Hz (period is 1 second)
				11	Low.
3-2	LED25_FREQ	R/W	VSB3V	LED output frequency.	
				Bit	Description
				00	Tri-state (default).
				01	0.5Hz (period is 2 seconds, duty cycle is 50%)
				10	1 Hz (period is 1 second)
				11	Low.
1-0	LED24_FREQ	R/W	VSB3V	LED output frequency.	
				Bit	Description
				00	Tri-state (default).
				01	0.5Hz (period is 2 seconds, duty cycle is 50%)
				10	1 Hz (period is 1 second)
				11	Low.

7.10 GPIO1x Output Control Register – Index 10h

Power-on default [7:0] =0000_0000b

Bit	Name	R/W	PWR	Description
7	GP17_OCTRL	R/W	VSB3V	GPIO 17 output control. Set to 1 for output function. Set to 0 for input function(default).

6	GP16_OCTRL	R/W	VSB3V	GPIO 16 output control. Set to 1 for output function. Set to 0 for input function(default).
5	GP15_OCTRL	R/W	VSB3V	GPIO 15 output control. Set to 1 for output function. Set to 0 for input function(default).
4	GP14_OCTRL	R/W	VSB3V	GPIO 14 output control. Set to 1 for output function. Set to 0 for input function(default).
3	GP13_OCTRL	R/W	VSB3V	GPIO 13 output control. Set to 1 for output function. Set to 0 for input function(default).
2	GP12_OCTRL	R/W	VSB3V	GPIO 12 output control. If this pin serves as IRQ/SMI#, this bit has no effect. Set to 1 for output function. Set to 0 for input function(default).
1	GP11_OCTRL	R/W	VSB3V	GPIO 11 output control. Set to 1 for output function. Set to 0 for input function(default).
0	GP10_OCTRL	R/W	VSB3V	GPIO 10 output control. Set to 1 for output function. Set to 0 for input function(default).

7.11 GPIO1x Output Data Register – Index 11h

Power-on default [7:0] =0000_0000b

Bit	Name	R/W	PWR	Description
7	GP17_ODATA	R/W	VSB3V	GPIO 17 output data.
6	GP16_ODATA	R/W	VSB3V	GPIO 16 output data.
5	GP15_ODATA	R/W	VSB3V	GPIO 15 output data.
4	GP14_ODATA	R/W	VSB3V	GPIO 14 output data.
3	GP13_ODATA	R/W	VSB3V	GPIO 13 output data.
2	GP12_ODATA	R/W	VSB3V	GPIO 12 output data. If this pin serves as IRQ/SMI#, this bit has no effect.
1	GP11_ODATA	R/W	VSB3V	GPIO 11 output data.
0	GP10_ODATA	R/W	VSB3V	GPIO 10 output data.

7.12 GPIO1x Input Status Register – Index 12h

Power-on default [7:0] =xxxx_xxxx

Bit	Name	R/W	PWR	Description
7	GP17_PSTS	RO	VSB3V	Read the GPIO17 data on the pin.

6	GP16_PSTS	RO	VSB3V	Read the GPIO16 data on the pin.
5	GP15_PSTS	RO	VSB3V	Read the GPIO15 data on the pin.
4	GP14_PSTS	RO	VSB3V	Read the GPIO14 data on the pin.
3	GP13_PSTS	RO	VSB3V	Read the GPIO13 data on the pin.
2	GP12_PSTS	RO	VSB3V	Read the GPIO12 data on the pin.
1	GP11_PSTS	RO	VSB3V	Read the GPIO11 data on the pin.
0	GP10_PSTS	RO	VSB3V	Read the GPIO10 data on the pin.

7.13 GPIO1x Level/Pulse Control Register – Index 13h

Power-on default [7:0] =0000_0000b

Bit	Name	R/W	PWR	Description
7	GP17_OMODE	R/W	VSB3V	GPIO 17 output mode. 0 – level, 1 – pulse.
6	GP16_OMODE	R/W	VSB3V	GPIO 16 output mode. 0 – level, 1 – pulse.
5	GP15_OMODE	R/W	VSB3V	GPIO 15 output mode. 0 – level, 1 – pulse.
4	GP14_OMODE	R/W	VSB3V	GPIO 14 output mode. 0 – level, 1 – pulse.
3	GP13_OMODE	R/W	VSB3V	GPIO 13 output mode. 0 – level, 1 – pulse.
2	GP12_OMODE	R/W	VSB3V	GPIO 12 output mode. 0 – level, 1 – pulse. If this serves as IRQ/SMI# mode, it will have same function.
1	GP11_OMODE	R/W	VSB3V	GPIO 11 output mode. 0 – level, 1 – pulse.
0	GP10_OMODE	R/W	VSB3V	GPIO 10 output mode. 0 – level, 1 – pulse.

7.14 GPIO1x Pulse Width Control Register – Index 14h

Power-on default [7:0] =0000_0000b

Bit	Name	R/W	PWR	Description
7:2	Reserved	R/W	VSB3V	Reserved. Read return 0.
1:0	GP1_PSWIDTH[1:0]]	R/W	VSB3V	GPIO1x pulse width. If set the GPIO1x to pulse mode, the pulse width can be defined as follows. 00b – 500us (Default) 01b – 1ms 10b – 20ms 11b – 100ms

7.15 GPIO1x Pull-up Resistor Control Register – Index 15h

Power-on default [7:0] =0000_0000b

Bit	Name	R/W	PWR	Description
7	GP17_RESON	R/W	VSB3V	Set to 1, turn on the GPIO17 internal pull-up resistor.
6	GP16_RESON	R/W	VSB3V	Set to 1, turn on the GPIO16 internal pull-up resistor.
5	GP15_RESON	R/W	VSB3V	Set to 1, turn on the GPIO15 internal pull-up resistor.
4	GP14_RESON	R/W	VSB3V	Set to 1, turn on the GPIO14 internal pull-up resistor.
3	Reserved	R/W	VSB3V	
2	GP12_RESON	R/W	VSB3V	Set to 1, turn on the GPIO12 internal pull-up resistor. If this pin serves as IRQ/SMI#, this bit also control IRQ/SMI# pull-up switch.
1	GP11_RESON	R/W	VSB3V	Set to 1, turn on the GPIO11 internal pull-up resistor.
0	GP10_RESON	R/W	VSB3V	Set to 1, turn on the GPIO10 internal pull-up resistor.

7.16 GPIO1x Input De-bounce Register – Index 16h

Power-on default [7:0] =0000_0000b

Bit	Name	R/W	PWR	Description
7	GP17_ENDB	R/W	VSB3V	Enable GPIO17 input de-bounce with 7u or 25ms second that selected by 0x1C bit7.
6	GP16_ENDB	R/W	VSB3V	Enable GPIO16 input de-bounce with 7u or 25ms second that selected by 0x1C bit6.
5	GP15_ENDB	R/W	VSB3V	Enable GPIO15 input de-bounce with 7u or 25ms second that selected by 0x1C bit5.
4	GP14_ENDB	R/W	VSB3V	Enable GPIO14 input de-bounce with 7u or 25ms second that selected by 0x1C bit4.
3	GP13_ENDB	R/W	VSB3V	Enable GPIO13 input de-bounce with 7u or 25ms second that selected by 0x1C bit3.
2	GP12_ENDB	R/W	VSB3V	Enable GPIO12 input de-bounce with 7u or 25ms second that selected by 0x1C bit2.
1	GP11_ENDB	R/W	VSB3V	Enable GPIO11 input de-bounce with 7u or 25ms second that selected by 0x1C bit1.
0	GP10_ENDB	R/W	VSB3V	Enable GPIO10 input de-bounce with 7u or 25ms second that selected by 0x1C bit0.

7.17 GPIO1x Pulse Inverse Register – Index 17h

Power-on default [7:0] =0000_0000b

Bit	Name	R/W	PWR	Description
7	GP17_PULSINV	R/W	VSB3V	GPIO 17 Pulse inverted. If the pulse inverse is selected, the output pulse is high pulse. Default low pulse. The pulse width is defined in CR14.
6	GP16_PULSINV	R/W	VSB3V	GPIO 16 Pulse inverted. If the pulse inverse is selected, the output pulse is high pulse. Default low pulse. The pulse width is defined in CR14.
5	GP15_PULSINV	R/W	VSB3V	GPIO15 Pulse inverted. If the pulse inverse is selected, the output pulse is high pulse. Default low pulse. The pulse width is defined in CR14.
4	GP14_PULSINV	R/W	VSB3V	GPIO14 Pulse inverted. If the pulse inverse is selected, the output pulse is high pulse. Default low pulse. The pulse width is defined in CR14.
3	GP13_PULSINV	R/W	VSB3V	GPIO13 Pulse inverted. If the pulse inverse is selected, the output pulse is high pulse. Default low pulse. The pulse width is defined in CR14.
2	GP12_PULSINV	R/W	VSB3V	GPIO12 Pulse inverted. If the pulse inverse is selected, the output pulse is high pulse. Default low pulse. The pulse width is defined in CR14. If this pin services as IRQ/SMI#, this bit has no effect.
1	GP11_PULSINV	R/W	VSB3V	GPIO 11 Pulse inverted. If the pulse inverse is selected, the output pulse is high pulse. Default low pulse. The pulse width is defined in CR14.
0	GP10_PULSINV	R/W	VSB3V	GPIO10 Pulse inverted. If the pulse inverse is selected, the output pulse is high pulse. Default low pulse. The pulse width is defined in CR14.

7.18 GP1X Edge Detector Enable Register – Index 0x18

Power-on default [7:0] =0000_0000b

Bit	Name	R/W	PWR	Description
7	EN_GP17EDGE	R/W	VSB3V	Enable GPIO17 Edge Detector. If this bit set to 1 and GPIO17 set to

				input mode [CR10] will enable GPIO17 edge detection. Default is disable
6	EN_GP16EDGE	R/W	VSB3V	Enable GPIO16 Edge Detector. If this bit set to 1 and GPIO16 set to input mode [CR10] will enable GPIO16 edge detection. Default is disable
5	EN_GP15EDGE	R/W	VSB3V	Enable GPIO15 Edge Detector. If this bit set to 1 and GPIO15 set to input mode [CR10] will enable GPIO15 edge detection. Default is disable
4	EN_GP14EDGE	R/W	VSB3V	Enable GPIO14 Edge Detector. If this bit set to 1 and GPIO14 set to input mode [CR10] will enable GPIO14 edge detection. Default is disable
3	EN_GP13EDGE	R/W	VSB3V	Enable GPIO13 Edge Detector. If this bit set to 1 and GPIO13 set to input mode [CR10] will enable GPIO13 edge detection. Default is disable
2	EN_GP12EDGE	R/W	VSB3V	Enable GPIO12 Edge Detector. If this bit set to 1 and GPIO12 set to input mode [CR10] will enable GPIO12 edge detection. Default is disable. If this bit serves as IRQ/SMI#, this bit has no effect.
1	EN_GP11EDGE	R/W	VSB3V	Enable GPIO11 Edge Detector. If this bit set to 1 and GPIO11 set to input mode [CR10] will enable GPIO11 edge detection. Default is disable
0	EN_GP10EDGE	R/W	VSB3V	Enable GPIO10 Edge Detector. If this bit set to 1 and GPIO10 set to input mode [CR10] will enable GPIO10 edge detection. Default is disable

7.19 GP1X Edge Detector Status Register – Index 0x19

Power-on default [7:0] =0000_0000b

Bit	Name	R/W	PWR	Description
7	STS_GP17EDGE	RW	VSB3V	Indicate GPIO17 Edge Status. If set to 1, the edge of GPIO17 has occurred. Writing 1 will clear this bit to 0. Writing 0 is invalid.
6	STS_GP16EDGE	RW	VSB3V	Indicate GPIO16 Edge Status. If set to 1, the edge of GPIO16 has occurred. Writing 1 will clear this bit to 0. Writing 0 is invalid.
5	STS_GP15EDGE	RW	VSB3V	Indicate GPIO15 Edge Status. If set to 1, the edge of GPIO15 has occurred. Writing 1 will clear this bit to 0. Writing 0 is invalid.
4	STS_GP14EDGE	RW	VSB3V	Indicate GPIO14 Edge Status. If set to 1, the edge of GPIO14 has occurred. Writing 1 will clear this bit to 0. Writing 0 is invalid.

3	STS_GP13ED GE	RW	VSB3V	Indicate GPIO13 Edge Status. If set to 1, the edge of GPIO13 has occurred. Writing 1 will clear this bit to 0. Writing 0 is invalid.
2	STS_GP12ED GE	RW	VSB3V	Indicate GPIO12 Edge Status. If set to 1, the edge of GPIO12 has occurred. Writing 1 will clear this bit to 0. Writing 0 is invalid. If this bit serves as IRQ/SMI#, this bit has no effect.
1	STS_GP11ED GE	RW	VSB3V	Indicate GPIO11 Edge Status. If set to 1, the edge of GPIO11 has occurred. Writing 1 will clear this bit to 0. Writing 0 is invalid.
0	STS_GP10ED GE	RW	VSB3V	Indicate GPIO10 Edge Status. If set to 1, the edge of GPIO10 has occurred. Writing 1 will clear this bit to 0. Writing 0 is invalid.

7.20 GP1X IRQ or SMI# Enable Register – Index 0x1A

Power-on default [7:0] =0000_0000b

Bit	Name	R/W	PWR	Description
7	EN_GP17IRQ	R/W	VSB3V	Enable GPIO17 IRQ or SMI# Generation. If this bit set to 1, enable GPIO17 to generate IRQ or SMI#.
6	EN_GP16IRQ	R/W	VSB3V	Enable GPIO16 IRQ or SMI# Generation. If this bit set to 1, enable GPIO16 to generate IRQ or SMI#.
5	EN_GP15IRQ	R/W	VSB3V	Enable GPIO15 IRQ or SMI# Generation. If this bit set to 1, enable GPIO15 to generate IRQ or SMI#.
4	EN_GP14IRQ	R/W	VSB3V	Enable GPIO14 IRQ or SMI# Generation. If this bit set to 1, enable GPIO14 to generate IRQ or SMI#.
3	EN_GP13IRQ	R/W	VSB3V	Enable GPIO13 IRQ or SMI# Generation. If this bit set to 1, enable GPIO13 to generate IRQ or SMI#.
2	EN_GP12IRQ	R/W	VSB3V	Enable GPIO12 IRQ or SMI# Generation. If this bit set to 1, enable GPIO12 to generate IRQ or SMI#.
1	EN_GP11IRQ	R/W	VSB3V	Enable GPIO11 IRQ or SMI# Generation. If this bit set to 1, enable GPIO11 to generate IRQ or SMI#.
0	EN_GP10IRQ	R/W	VSB3V	Enable GPIO10 IRQ or SMI# Generation. If this bit set to 1, enable GPIO10 to generate IRQ or SMI#.

7.21 GP1X Output Driving Enable – Index 0x1B

Power-on default [7:0] =0000_1000b

Bit	Name	R/W	PWR	Description
7	EN_GP17_OBUF	R/W	VSB3V	Enable GPIO17 drive high buffer. If this bit is set to 0, the pin GPIO17 will be I/OD pin, if set to 1 the pin GPIO17 is I/O pin.
6	EN_GP16_OBUF	R/W	VSB3V	Enable GPIO16 drive high buffer. If this bit is set to 0, the pin GPIO16 will be I/OD pin, if set to 1 the pin GPIO16 is I/O pin.

5	EN_GP15_OBUF	R/W	VSB3V	Enable GPIO15 drive high buffer. If this bit is set to 0, the pin GPIO15 will be I/OD pin, if set to 1 the pin GPIO15 is I/O pin.
4	EN_GP14_OBUF	R/W	VSB3V	Enable GPIO14 drive high buffer. If this bit is set to 0, the pin GPIO14 will be I/OD pin, if set to 1 the pin GPIO14 is I/O pin.
3	EN_GP13_OBUF	R/W	VSB3V	Enable GPIO13 drive high buffer. If this bit is set to 0, the pin GPIO13 will be I/OD pin, if set to 1 the pin GPIO13 is I/O pin(default).
2	EN_GP12_OBUF	R/W	VSB3V	Enable GPIO12 drive high buffer. If this bit is set to 0, the pin GPIO12 will be I/OD pin, if set to 1 the pin GPIO12 is I/O pin.
1	EN_GP11_OBUF	R/W	VSB3V	Enable GPIO11 drive high buffer. If this bit is set to 0, the pin GPIO11 will be I/OD pin, if set to 1 the pin GPIO11 is I/O pin.
0	EN_GP10_OBUF	R/W	VSB3V	Enable GPIO10 drive high buffer. If this bit is set to 0, the pin GPIO10 will be I/OD pin, if set to 1 the pin GPIO10 is I/O pin.

7.22 GP1X Output Driving Enable – Index 0x1C

Power-on default [7:0] =0000_0000b

Bit	Name	R/W	PWR	Description
7	DB_TIME17_SEL	R/W	VSB3V	Select GPIO17 input de-bounce time. If set to 1 de-bounce time is 25ms else if set to 0 de-bounce time is 7u(default).
6	DB_TIME16_SEL	R/W	VSB3V	Select GPIO16 input de-bounce time. If set to 1 de-bounce time is 25ms else if set to 0 de-bounce time is 7u(default).
5	DB_TIME15_SEL	R/W	VSB3V	Select GPIO15 input de-bounce time. If set to 1 de-bounce time is 25ms else if set to 0 de-bounce time is 7u(default).
4	DB_TIME14_SEL	R/W	VSB3V	Select GPIO14 input de-bounce time. If set to 1 de-bounce time is 25ms else if set to 0 de-bounce time is 7u(default).
3	DB_TIME13_SEL	R/W	VSB3V	Select GPIO13 input de-bounce time. If set to 1 de-bounce time is 25ms else if set to 0 de-bounce time is 7u(default).
2	DB_TIME12_SEL	R/W	VSB3V	Select GPIO12 input de-bounce time. If set to 1 de-bounce time is 25ms else if set to 0 de-bounce time is 7u(default).
1	DB_TIME11_SEL	R/W	VSB3V	Select GPIO11 input de-bounce time. If set to 1 de-bounce time is 25ms else if set to 0 de-bounce time is 7u(default).
0	DB_TIME10_SEL	R/W	VSB3V	Select GPIO10 input de-bounce time. If set to 1 de-bounce time is 25ms else if set to 0 de-bounce time is 7u(default).

7.23 GPIO2x Output Control Register – Index 20h

Power-on default [7:0] =0000_0000b

Bit	Name	R/W	PWR	Description
7	GP27_OCTRL	R/W	VSB3V	GPIO 27 output control. Set to 1 for output function. Set to 0 for input function(default).
6	GP26_OCTRL	R/W	VSB3V	GPIO 26 output control. Set to 1 for output function. Set to 0 for input function(default).
5	GP25_OCTRL	R/W	VSB3V	GPIO 25 output control. Set to 1 for output function. Set to 0 for input function(default).
4	GP24_OCTRL	R/W	VSB3V	GPIO 24 output control. Set to 1 for output function. Set to 0 for input function(default).
3	GP23_OCTRL	R/W	VSB3V	GPIO 23 output control. Set to 1 for output function. Set to 0 for input function(default).
2	GP22_OCTRL	R/W	VSB3V	GPIO 22 output control. Set to 1 for output function. Set to 0 for input function(default).
1	GP21_OCTRL	R/W	VSB3V	GPIO 21 output control. Set to 1 for output function. Set to 0 for input function(default).
0	GP20_OCTRL	R/W	VSB3V	GPIO 20 output control. Set to 1 for output function. Set to 0 for input function(default).

7.24 GPIO2x Output Data Register – Index 21h

Power-on default [7:0] =0000_0000b

Bit	Name	R/W	PWR	Description
7	GP27_ODATA	R/W	VSB3V	GPIO 27 output data.
6	GP26_ODATA	R/W	VSB3V	GPIO 26 output data.
5	GP25_ODATA	R/W	VSB3V	GPIO 25 output data.
4	GP24_ODATA	R/W	VSB3V	GPIO 24 output data.

3	GP23_ODATA	R/W	VSB3V	GPIO 23 output data.
2	GP22_ODATA	R/W	VSB3V	GPIO 22 output data.
1	GP21_ODATA	R/W	VSB3V	GPIO 21 output data.
0	GP20_ODATA	R/W	VSB3V	GPIO 20 output data.

7.25 GPIO2x Input Status Register – Index 22h

Power-on default [7:0] =xxxx_xxxx

Bit	Name	R/W	PWR	Description
7	GP27_PSTS	RO	VSB3V	Read the GPIO27 data on the pin.
6	GP26_PSTS	RO	VSB3V	Read the GPIO26 data on the pin.
5	GP25_PSTS	RO	VSB3V	Read the GPIO25 data on the pin.
4	GP24_PSTS	RO	VSB3V	Read the GPIO24 data on the pin.
3	GP23_PSTS	RO	VSB3V	Read the GPIO23 data on the pin.
2	GP22_PSTS	RO	VSB3V	Read the GPIO22 data on the pin.
1	GP21_PSTS	RO	VSB3V	Read the GPIO21 data on the pin.
0	GP20_PSTS	RO	VSB3V	Read the GPIO20 data on the pin.

7.26 GPIO2x Level/Pulse Control Register – Index 23h

Power-on default [7:0] =0000_0000b

Bit	Name	R/W	PWR	Description
7	GP27_OMODE	R/W	VSB3V	GPIO 27 output mode. 0 – level, 1 – pulse.
6	GP26_OMODE	R/W	VSB3V	GPIO 26 output mode. 0 – level, 1 – pulse.
5	GP25_OMODE	R/W	VSB3V	GPIO 25 output mode. 0 – level, 1 – pulse.
4	GP24_OMODE	R/W	VSB3V	GPIO 24 output mode. 0 – level, 1 – pulse.
3	GP23_OMODE	R/W	VSB3V	GPIO 23 output mode. 0 – level, 1 – pulse.
2	GP22_OMODE	R/W	VSB3V	GPIO 22 output mode. 0 – level, 1 – pulse.
1	GP21_OMODE	R/W	VSB3V	GPIO 21 output mode. 0 – level, 1 – pulse.
0	GP20_OMODE	R/W	VSB3V	GPIO 20 output mode. 0 – level, 1 – pulse.

7.27 GPIO2x Pulse Width Control Register – Index 24h

Power-on default [7:0] =0000_0000b

Bit	Name	R/W	PWR	Description
7:2	Reserved	R/W	VSB3V	Reserved. Read return 0.
1:0	GP2_PLSWD[1:0]]	R/W	VSB3V	GPIO2x pulse width. If set the GPIO2x to pulse mode, the pulse width can be defined as follows. 00b – 500us (Default) 01b – 1ms 10b – 20ms 11b – 100ms

7.28 GPIO2x Pull-up Resistor Control Register – Index 25h

Power-on default [7:0] =0000_0000b

Bit	Name	R/W	PWR	Description
7	GP27_RESON	R/W	VSB3V	Turn on the GPIO27 internal pull-up resistor.
6	GP26_RESON	R/W	VSB3V	Turn on the GPIO26 internal pull-up resistor.
5	GP25_RESON	R/W	VSB3V	Turn on the GPIO25 internal pull-up resistor.
4	GP24_RESON	R/W	VSB3V	Turn on the GPIO24 internal pull-up resistor.
3	GP23_RESON	R/W	VSB3V	Turn on the GPIO23 internal pull-up resistor.
2	GP22_RESON	R/W	VSB3V	Turn on the GPIO22 internal pull-up resistor.
1	GP21_RESON	R/W	VSB3V	Turn on the GPIO21 internal pull-up resistor.
0	GP20_RESON	R/W	VSB3V	Turn on the GPIO20 internal pull-up resistor.

7.29 GPIO2x Input De-bounce Register – Index 26h

Power-on default [7:0] =0000_0000b

Bit	Name	R/W	PWR	Description
7	GP27_ENDB	R/W	VSB3V	Enable GPIO27 input de-bounce with 7u or 25ms second that selected by 0x2C bit7.
6	GP26_ENDB	R/W	VSB3V	Enable GPIO26 input de-bounce with 7u or 25ms second that selected

				by 0x2C bit6.
5	GP25_ENDB	R/W	VSB3V	Enable GPIO25 input de-bounce with 7u or 25ms second that selected by 0x2C bit5.
4	GP24_ENDB	R/W	VSB3V	Enable GPIO24 input de-bounce with 7u or 25ms second that selected by 0x2C bit4.
3	GP23_ENDB	R/W	VSB3V	Enable GPIO23 input de-bounce with 7u or 25ms second that selected by 0x2C bit3.
2	GP22_ENDB	R/W	VSB3V	Enable GPIO22 input de-bounce with 7u or 25ms second that selected by 0x2C bit2.
1	GP21_ENDB	R/W	VSB3V	Enable GPIO21 input de-bounce with 7u or 25ms second that selected by 0x2C bit1.
0	GP20_ENDB	R/W	VSB3V	Enable GPIO20 input de-bounce with 7u or 25ms second that selected by 0x2C bit0.

7.30 GPIO2x Pulse Inverse Register – Index 27h

Power-on default [7:0] =0000_0000b

Bit	Name	R/W	PWR	Description
7	GP27_PULSINV	R/W	VSB3V	GPIO 27 Pulse inversed. If the pulse inverse is selected, the output pulse is high pulse. Default low pulse. The pulse width is defined in CR24.
6	GP26_PULSINV	R/W	VSB3V	GPIO 26 Pulse inversed. If the pulse inverse is selected, the output pulse is high pulse. Default low pulse. The pulse width is defined in CR24.
5	GP25_PULSINV	R/W	VSB3V	GPIO25 Pulse inversed. If the pulse inverse is selected, the output pulse is high pulse. Default low pulse. The pulse width is defined in CR24.
4	GP24_PULSINV	R/W	VSB3V	GPIO24 Pulse inversed. If the pulse inverse is selected, the output pulse is high pulse. Default low pulse. The pulse width is defined in CR24.
3	GP23_PULSINV	R/W	VSB3V	GPIO23 Pulse inversed. If the pulse inverse is selected, the output pulse is high pulse. Default low pulse. The pulse width is defined in CR24.
2	GP22_PULSINV	R/W	VSB3V	GPIO22 Pulse inversed. If the pulse inverse is selected, the output pulse is high pulse. Default low pulse. The pulse width is defined in

				CR24.
1	GP21_PULSINV	R/W	VSB3V	GPIO 21 Pulse inverted. If the pulse inverse is selected, the output pulse is high pulse. Default low pulse. The pulse width is defined in CR24.
0	GP20_PULSINV	R/W	VSB3V	GPIO20 Pulse inverted. If the pulse inverse is selected, the output pulse is high pulse. Default low pulse. The pulse width is defined in CR24.

7.31 GP2x Edge Detector Enable Register – Index 0x28

Power-on default [7:0] =0000_0000b

Bit	Name	R/W	PWR	Description
7	EN_GP27EDGE	R/W	VSB3V	Enable GPIO27 Edge Detector. If this bit set to 1 and GPIO17 set to input mode [CR10] will enable GPIO27 edge detection. Default is disabled.
6	EN_GP26EDGE	R/W	VSB3V	Enable GPIO26 Edge Detector. If this bit set to 1 and GPIO16 set to input mode [CR10] will enable GPIO26 edge detection. Default is disabled.
5	EN_GP25EDGE	R/W	VSB3V	Enable GPIO25 Edge Detector. If this bit set to 1 and GPIO15 set to input mode [CR10] will enable GPIO25 edge detection. Default is disabled.
4	EN_GP24EDGE	R/W	VSB3V	Enable GPIO24 Edge Detector. If this bit set to 1 and GPIO14 set to input mode [CR10] will enable GPIO24 edge detection. Default is disabled.
3	EN_GP23EDGE	R/W	VSB3V	Enable GPIO23 Edge Detector. If this bit set to 1 and GPIO13 set to input mode [CR10] will enable GPIO23 edge detection. Default is disabled.
2	EN_GP22EDGE	R/W	VSB3V	Enable GPIO22 Edge Detector. If this bit set to 1 and GPIO12 set to input mode [CR10] will enable GPIO22 edge detection. Default is disabled.
1	EN_GP21EDGE	R/W	VSB3V	Enable GPIO21 Edge Detector. If this bit set to 1 and GPIO11 set to input mode [CR10] will enable GPIO21 edge detection. Default is disabled.
0	EN_GP20EDGE	R/W	VSB3V	Enable GPIO20 Edge Detector. If this bit set to 1 and GPIO10 set to input mode [CR10] will enable GPIO20 edge detection. Default is

				disabled.
--	--	--	--	-----------

7.32 GP2X Edge Detector Status Register – Index 0x29

Power-on default [7:0] =0000_0000b

Bit	Name	R/W	PWR	Description
7	STS_GP27EDGE	R/W	VSB3V	Indicate GPIO27 Edge Status. If set to 1, the edge of GPIO27 has occurred. Write 1 to clear this bit. Writing 0 is invalid.
6	STS_GP26EDGE	R/W	VSB3V	Indicate GPIO26 Edge Status. If set to 1, the edge of GPIO26 has occurred. Write 1 to clear this bit. Writing 0 is invalid.
5	STS_GP25EDGE	R/W	VSB3V	Indicate GPIO25 Edge Status. If set to 1, the edge of GPIO25 has occurred. Write 1 to clear this bit. Writing 0 is invalid.
4	STS_GP24EDGE	R/W	VSB3V	Indicate GPIO24 Edge Status. If set to 1, the edge of GPIO24 has occurred. Write 1 to clear this bit. Writing 0 is invalid.
3	STS_GP23EDGE	R/W	VSB3V	Indicate GPIO23 Edge Status. If set to 1, the edge of GPIO23 has occurred. Write 1 to clear this bit. Writing 0 is invalid.
2	STS_GP22EDGE	R/W	VSB3V	Indicate GPIO22 Edge Status. If set to 1, the edge of GPIO22 has occurred. Write 1 to clear this bit. Writing 0 is invalid.
1	STS_GP21EDGE	R/W	VSB3V	Indicate GPIO11 Edge Status. If set to 1, the edge of GPIO21 has occurred. Write 1 to clear this bit. Writing 0 is invalid.
0	STS_GP20EDGE	R/W	VSB3V	Indicate GPIO10 Edge Status. If set to 1, the edge of GPIO20 has occurred. Write 1 to clear this bit. Writing 0 is invalid.

7.33 GP2X IRQ or SMI# Enable Register – Index 0x2A

Power-on default [7:0] =0000_0000b

Bit	Name	R/W	PWR	Description
7	EN_GP27IRQ	R/W	VSB3V	Enable GPIO27 IRQ or SMI# Generation. If this bit set to 1, enable GPIO27 to generate IRQ or SMI#.
6	EN_GP26IRQ	R/W	VSB3V	Enable GPIO26 IRQ or SMI# Generation. If this bit set to 1, enable GPIO26 to generate IRQ or SMI#.
5	EN_GP25IRQ	R/W	VSB3V	Enable GPIO25 IRQ or SMI# Generation. If this bit set to 1, enable GPIO25 to generate IRQ or SMI#.
4	EN_GP24IRQ	R/W	VSB3V	Enable GPIO24 IRQ or SMI# Generation. If this bit set to 1, enable

				GPIO24 to generate IRQ or SMI#.
3	EN_GP23IRQ	R/W	VSB3V	Enable GPIO23 IRQ or SMI# Generation. If this bit set to 1, enable GPIO23 to generate IRQ or SMI#.
2	EN_GP22IRQ	R/W	VSB3V	Enable GPIO22 IRQ or SMI# Generation. If this bit set to 1, enable GPIO22 to generate IRQ or SMI#.
1	EN_GP21IRQ	R/W	VSB3V	Enable GPIO21 IRQ or SMI# Generation. If this bit set to 1, enable GPIO21 to generate IRQ or SMI#.
0	EN_GP20IRQ	R/W	VSB3V	Enable GPIO20 IRQ or SMI# Generation. If this bit set to 1, enable GPIO20 to generate IRQ or SMI#.

7.34 GP2X Output Driving Enable – Index 0x2B

Power-on default [7:0] =0000_0000b

Bit	Name	R/W	PWR	Description
7	EN_GP27_OBUF	R/W	VSB3V	Enable GPIO27 drive high buffer. If this bit is set to 0, the pin GPIO27 will be I/OD pin, if set to 1 the pin GPIO17 is I/O pin.
6	EN_GP26_OBUF	R/W	VSB3V	Enable GPIO26 drive high buffer. If this bit is set to 0, the pin GPIO26 will be I/OD pin, if set to 1 the pin GPIO26 is I/O pin.
5	EN_GP25_OBUF	R/W	VSB3V	Enable GPIO25 drive high buffer. If this bit is set to 0, the pin GPIO25 will be I/OD pin, if set to 1 the pin GPIO25 is I/O pin.
4	EN_GP24_OBUF	R/W	VSB3V	Enable GPIO24 drive high buffer. If this bit is set to 0, the pin GPIO24 will be I/OD pin, if set to 1 the pin GPIO24 is I/O pin.
3	EN_GP23_OBUF	R/W	VSB3V	Enable GPIO23 drive high buffer. If this bit is set to 0, the pin GPIO23 will be I/OD pin, if set to 1 the pin GPIO23 is I/O pin.
2	EN_GP22_OBUF	R/W	VSB3V	Enable GPIO22 drive high buffer. If this bit is set to 0, the pin GPIO22 will be I/OD pin, if set to 1 the pin GPIO22 is I/O pin.
1	EN_GP21_OBUF	R/W	VSB3V	Enable GPIO21 drive high buffer. If this bit is set to 0, the pin GPIO21 will be I/OD pin, if set to 1 the pin GPIO21 is I/O pin.
0	EN_GP20_OBUF	R/W	VSB3V	Enable GPIO20 drive high buffer. If this bit is set to 0, the pin GPIO20 will be I/OD pin, if set to 1 the pin GPIO20 is I/O pin.

7.35 GP2X Output Driving Enable – Index 0x2C

Power-on default [7:0] =0000_0000b

Bit	Name	R/W	PWR	Description
7	DB_TIME27_SEL	R/W	VSB3V	Select GPIO27 input de-bounce time. If set to 1 de-bounce time is

				25ms else if set to 0 de-bounce time is 7u(default).
6	DB_TIME26_SEL	R/W	VSB3V	Select GPIO26 input de-bounce time. If set to 1 de-bounce time is 25ms else if set to 0 de-bounce time is 7u(default).
5	DB_TIME25_SEL	R/W	VSB3V	Select GPIO25 input de-bounce time. If set to 1 de-bounce time is 25ms else if set to 0 de-bounce time is 7u(default).
4	DB_TIME24_SEL	R/W	VSB3V	Select GPIO24 input de-bounce time. If set to 1 de-bounce time is 25ms else if set to 0 de-bounce time is 7u(default).
3	DB_TIME23_SEL	R/W	VSB3V	Select GPIO23 input de-bounce time. If set to 1 de-bounce time is 25ms else if set to 0 de-bounce time is 7u(default).
2	DB_TIME22_SEL	R/W	VSB3V	Select GPIO22 input de-bounce time. If set to 1 de-bounce time is 25ms else if set to 0 de-bounce time is 7u(default).
1	DB_TIME21_SEL	R/W	VSB3V	Select GPIO21 input de-bounce time. If set to 1 de-bounce time is 25ms else if set to 0 de-bounce time is 7u(default).
0	DB_TIME20_SEL	R/W	VSB3V	Select GPIO20 input de-bounce time. If set to 1 de-bounce time is 25ms else if set to 0 de-bounce time is 7u(default).

7.36 WDTOUT Control Register – Index 34h

Power-on default [7:0] =0000_0000b

Bit	Name	R/W	PWR	Description
7-3	Reserved	RO		
2	SEL_RST_2S	R/W	VSB3V	When set this bit to 1, the WDTOUT10 low pulse width is 2 Sec, if set to 0 the low pulse width is 100ms.
1	WDTOUT10_OINV	R/W	VSB3V	WDTOUT10# output level inverting. When write 1, the output pin will be inverted. Default is low active when time is out.
0	STS_WDTOUT10	R/W	VSB3V	Indicate WDTOUT10 is occurred. Write 1 to clear this bit. Writing 0 is invalid.

7.37 WDTOUT10 Control Register – Index 35h

Power-on default [7:0] =0000_0000b

Bit	Name	R/W	PWR	Description
7	WDT10_ENABLE	R/W	VSB3V	Enable WDTOUT10 Output Timer. If set to 1, the WDTOUT10 timer will be started. When WDTOUT10# is asserted, low pulse is occurred.

6-0	WD1_PTIME	R/W	VSB3V	WDTOUT10 Pre-counter time in second. 000_0000b – 0 second (Default) 000_0001b – 1 second 000_0010b – 2 seconds : 111_1111b – 127 seconds
-----	-----------	-----	-------	---

7.38 Watchdog Timer Control Register – Index 36h

Power-on default [7:0] =0000_0000b

Bit	Name	R/W	PWR	Description
7	Reserved	RO	VSB3V	Reserved. Read will return 0.
6	STS_WD_TMO UT	R/W	VSB3V	Watchdog is timeout. When the watchdog is timeout, this bit will be set to one. If set to 1, write 1 will clear this bit. Write 0, no effect.
5	WD_ENABLE	R/W	VSB3V	Enable watchdog timer.
4	WD_PULSE	R/W	VSB3V	Watchdog output level or pulse. If set 0 (default), the pin of watchdog is level output. If write 1, the pin will output with a pulse.
3	WD_UNIT	R/W	VSB3V	Watchdog unit select. Default 0 is select second. Write 1 to select minute.
2	WD_HACTIVE	R/W	VSB3V	Program WD2 output level. If set to 1 and watchdog asserted, the pin will be high. If set to 0 and watchdog asserted, this pin will drive low(default).
1-0	WD_PSWIDTH	R/W	VSB3V	Watchdog pulse width selection. If the pin output is selected to pulse mode. The pulse width can be choice. 00b – 1m second. 01b – 20m second. 10b – 100m second 11b – 4 second

The is flexible reset out with watchdog

7.39 Watchdog Timer Range Register – Index 37h

Power-on default [7:0] =0000_0000b

Bit	Name	R/W	PWR	Description
7-0	WD_TIME	R/W	VSB3V	Watchdog timing range from 0 ~ 255. The unit is either second or minute programmed by the watchdog timer control register bit3.

7.40 GPIO3x Output Control Register – Index 40h

Power-on default [7:0] =0000_0000b

Bit	Name	R/W	PWR	Description
7-4	Reserved	RO	VSB3V	Read back will be zero
3	GP33_OCTRL	R/W	VSB3V	GPIO 33 output control. Set to 1 for output function. Set to 0 for input function(default).
2	GP32_OCTRL	R/W	VSB3V	GPIO 32 output control. Set to 1 for output function. Set to 0 for input function(default).
1	GP31_OCTRL	R/W	VSB3V	GPIO 31 output control. Set to 1 for output function. Set to 0 for input function(default).
0	GP30_OCTRL	R/W	VSB3V	GPIO 30 output control. Set to 1 for output function. Set to 0 for input function(default).

7.41 GPIO3x Output Data Register – Index 41h

Power-on default [7:0] =0000_0000b

Bit	Name	R/W	PWR	Description
7-4	Reserved	RO	VSB3V	Read back will be zero
3	GP33_ODATA	R/W	VSB3V	GPIO 33 output data.
2	GP32_ODATA	R/W	VSB3V	GPIO 32 output data.
1	GP31_ODATA	R/W	VSB3V	GPIO 31 output data.
0	GP30_ODATA	R/W	VSB3V	GPIO 30 output data.

7.42 GPIO3x Input Status Register – Index 42h

Power-on default [7:0] =xxxx_xxxx

Bit	Name	R/W	PWR	Description
7-4	Reserved	RO	VSB3V	Read back will be zero
3	GP33_PSTS	RO	VSB3V	Read the GPIO33 data on the pin.
2	GP32_PSTS	RO	VSB3V	Read the GPIO32 data on the pin.
1	GP31_PSTS	RO	VSB3V	Read the GPIO31 data on the pin.
0	GP30_PSTS	RO	VSB3V	Read the GPIO30 data on the pin.

7.43 GPIO3x Level/Pulse Control Register – Index 43h

Power-on default [7:0] =0000_0000b

Bit	Name	R/W	PWR	Description
7-4	Reserved	RO	VSB3V	Read back will be zero
3	GP33_OMODE	R/W	VSB3V	GPIO 33 output mode. 0 – level, 1 – pulse.
2	GP32_OMODE	R/W	VSB3V	GPIO 32 output mode. 0 – level, 1 – pulse.
1	GP31_OMODE	R/W	VSB3V	GPIO 31 output mode. 0 – level, 1 – pulse.
0	GP30_OMODE	R/W	VSB3V	GPIO 30 output mode. 0 – level, 1 – pulse.

7.44 GPIO3x Pulse Width Control Register – Index 44h

Power-on default [7:0] =0000_0000b

Bit	Name	R/W	PWR	Description
7:2	Reserved	R/W	VSB3V	Reserved. Read return 0.
1:0	GP3_PLSWD[1:0]]	R/W	VSB3V	GPIO3x pulse width. If set the GPIO3x to pulse mode, the pulse width can be defined as follows. 00b – 500us (Default) 01b – 1ms 10b – 20ms 11b – 100ms

7.45 GPIO3x Input De-bounce Register – Index 46h

Power-on default [7:0] =0000_0000b

Bit	Name	R/W	PWR	Description
7-4	Reserved	RO	VSB3V	Read back will be zero
3	GP33_ENDB	R/W	VSB3V	Enable GPIO33 input de-bounce with 7u or 25ms second that selected by 0x4C bit3.
2	GP32_ENDB	R/W	VSB3V	Enable GPIO32 input de-bounce with 7u or 25ms second that selected by 0x4C bit2.
1	GP31_ENDB	R/W	VSB3V	Enable GPIO31 input de-bounce with 7u or 25ms second that selected by 0x4C bit1.
0	GP30_ENDB	R/W	VSB3V	Enable GPIO30 input de-bounce with 7u or 25ms second that selected by 0x4C bit0.

7.46 GPIO3x Pulse Inverse Register – Index 47h

Power-on default [7:0] =0000_0000b

Bit	Name	R/W	PWR	Description
7-4	Reserved	RO	VSB3V	Read back will be zero
3	GP33_PULSINV	R/W	VSB3V	GPIO33 Pulse inverted. If the pulse inverse is selected, the output pulse is high pulse. Default low pulse. The pulse width is defined in CR44.
2	GP32_PULSINV	R/W	VSB3V	GPIO32 Pulse inverted. If the pulse inverse is selected, the output pulse is high pulse. Default low pulse. The pulse width is defined in CR44.
1	GP31_PULSINV	R/W	VSB3V	GPIO 31 Pulse inverted. If the pulse inverse is selected, the output pulse is high pulse. Default low pulse. The pulse width is defined in CR44.
0	GP30_PULSINV	R/W	VSB3V	GPIO30 Pulse inverted. If the pulse inverse is selected, the output pulse is high pulse. Default low pulse. The pulse width is defined in CR44.

7.47 GP3x Edge Detector Enable Register – Index 0x48

Power-on default [7:0] =0000_0000b

Bit	Name	R/W	PWR	Description
7-4	Reserved	RO	VSB3V	Read back will be zero
3	EN_GP33EDGE	R/W	VSB3V	Enable GPIO33 Edge Detector. If set to 1, enable GPIO33 edge detection. Default is disable.
2	EN_GP32EDGE	R/W	VSB3V	Enable GPIO32 Edge Detector. If set to 1, enable GPIO32 edge detection. Default is disable.
1	EN_GP31EDGE	R/W	VSB3V	Enable GPIO31 Edge Detector. If set to 1, enable GPIO31 edge detection. Default is disable.
0	EN_GP30EDGE	R/W	VSB3V	Enable GPIO30 Edge Detector. If set to 1, enable GPIO30 edge detection. Default is disable.

7.48 GP3X Edge Detector Status Register – Index 0x49

Power-on default [7:0] =0000_0000b

Bit	Name	R/W	PWR	Description
7-4	Reserved	RO	VSB3V	Read back will be zero
3	STS_GP33EDGE	R/W	VSB3V	Indicate GPIO33 Edge Status. If set to 1, the edge of GPIO33 has occurred. Write 1 to clear this bit. Writing 0 is invalid.
2	STS_GP32EDGE	R/W	VSB3V	Indicate GPIO32 Edge Status. If set to 1, the edge of GPIO32 has occurred. Write 1 to clear this bit. Writing 0 is invalid.
1	STS_GP31EDGE	R/W	VSB3V	Indicate GPIO31 Edge Status. If set to 1, the edge of GPIO31 has occurred. Write 1 to clear this bit. Writing 0 is invalid.
0	STS_GP30EDGE	R/W	VSB3V	Indicate GPIO10 Edge Status. If set to 1, the edge of GPIO30 has occurred. Write 1 to clear this bit. Writing 0 is invalid.

7.49 GP3X IRQ or SMI# Enable Register – Index 0x4A

Power-on default [7:0] =0000_0000b

Bit	Name	R/W	PWR	Description
7-4	Reserved	RO	VSB3V	Read back will be zero
3	EN_GP33IRQ	R/W	VSB3V	Enable GPIO33 IRQ or SMI# Generation. If this bit set to 1, enable GPIO33 to generate IRQ or SMI#.
2	EN_GP32IRQ	R/W	VSB3V	Enable GPIO32 IRQ or SMI# Generation. If this bit set to 1, enable GPIO32 to generate IRQ or SMI#.
1	EN_GP31IRQ	R/W	VSB3V	Enable GPIO31 IRQ or SMI# Generation. If this bit set to 1, enable GPIO31 to generate IRQ or SMI#.
0	EN_GP30IRQ	R/W	VSB3V	Enable GPIO30 IRQ or SMI# Generation. If this bit set to 1, enable GPIO30 to generate IRQ or SMI#.

7.50 GP3X Output Driving Enable – Index 0x4C

Power-on default [7:0] =0000_0000b

Bit	Name	R/W	PWR	Description
7-4	Reserved	RO	VSB3V	Read back will be zero
3	DB_TIME33_SEL	R/W	VSB3V	Select GPIO33 input de-bounce time. If set to 1 de-bounce time is 25ms else if set to 0 de-bounce time is 7u(default).
2	DB_TIME32_SEL	R/W	VSB3V	Select GPIO32 input de-bounce time. If set to 1 de-bounce time is 25ms else if set to 0 de-bounce time is 7u(default).

1	DB_TIME31_SEL	R/W	VSB3V	Select GPIO31 input de-bounce time. If set to 1 de-bounce time is 25ms else if set to 0 de-bounce time is 7u(default).
0	DB_TIME30_SEL	R/W	VSB3V	Select GPIO30 input de-bounce time. If set to 1 de-bounce time is 25ms else if set to 0 de-bounce time is 7u(default).

7.51 CHIPID(1) Register – Index 5Ah

Power-on default [7:0] =0000_0011b

Bit	Name	R/W	PWR	Description
7-0	CHIPID	RO	VSB3V	Chip ID, High byte (8'h03).

7.52 CHIPID(2) Register – Index 5Bh

Power-on default [7:0] =0000_0000b

Bit	Name	R/W	PWR	Description
7-0	CHIPID	RO	VSB3V	Chip ID, Low byte (8'h00).

7.53 VENDOR ID(1) Register – Index 5Dh

Power-on default [7:0] =0001_1001b

Bit	Name	R/W	PWR	Description
7-0	VENDOR1	RO	VSB3V	Vendor ID, 8'h19

7.54 VENDOR ID(2) Register – Index 5Eh

Power-on default [7:0] =0011_0100b

Bit	Name	R/W	PWR	Description
7-0	VENDOR2	RO	VSB3V	Vendor ID, 8h34

8. Electron Characteristic

8.1 Absolute Maximum Ratings

PARAMETER	RATING	UNIT
Power Supply Voltage	-0.5 to 4.0	V
Input Voltage	-0.5 to 5.5	V
Operating Temperature	-20 to +85	° C
Storage Temperature	-55 to +150	° C

Note: Exposure to conditions beyond those listed under Absolute Maximum Ratings may adversely affect the life and reliability of the device.

8.2 DC Characteristics

(Ta = 0° C to 70° C, VDD = 3.3V ± 10%, VSS = 0V) (Note)

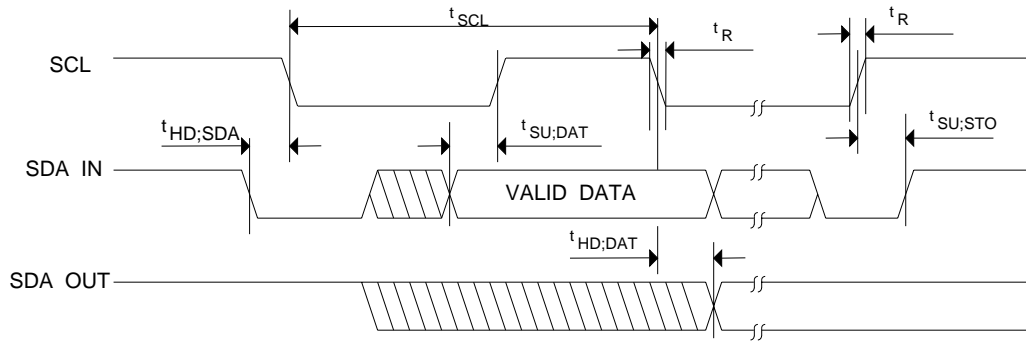
PARAMETER	SYM.	MIN.	TYP.	MAX.	UNIT	CONDITIONS
I/O_{12t} - TTL level bi-directional pin with source-sink capability of 12 mA						
Input Low Voltage	VIL			0.8	V	
Input High Voltage	VIH	2.0			V	
Output Low Current	IOL	10	12		mA	VOL = 0.4V
Output High Current	IOH		-12	-10	mA	VOH = 2.4V
Input High Leakage	ILIH			+2	μA	VIN = VDD
Input Low Leakage	ILIL			-2	μA	VIN = 0V
I/O_{12ts} - TTL level bi-directional pin with source-sink capability of 12 mA and schmitt-trigger level input						
Input Low Threshold Voltage	Vt-	0.5	0.8	1.1	V	VDD = 3.3 V
Input High Threshold Voltage	Vt+	1.6	2.0	2.4	V	VDD = 3.3 V
Output Low Current	IOL	10	12		mA	VOL = 0.4 V
Output High Current	IOH		-12	-10	mA	VOH = 2.4V
Input High Leakage	ILIH			+2	μA	VIN = VDD
Input Low Leakage	ILIL			-2	μA	VIN = 0V

8.2 DC Characteristics, continued

PARAMETER	SYM.	MIN.	TYP.	MAX.	UNIT	CONDITIONS
OUT_{12t} - TTL level output pin with source-sink capability of 12 mA						
Output Low Current	IOL	12	16		mA	VOL = 0.4V
Output High Current	IOH		-14	-12	mA	VOH = 2.4V
OD₈ - Open-drain output pin with sink capability of 8 mA						
Output Low Current	IOL	6	8		mA	VOL = 0.4V
OD₁₆ - Open-drain output pin with sink capability of 16 mA						
Output Low Current	IOL	12	16		mA	VOL = 0.4V
I/OOD_{16ts} - TTL level bi-directional pin, can select to OD or OUT by register, with 16 mA source-sink capability						
Input Low Threshold Voltage	Vt-	0.5	0.8	1.1	V	VDD = 3.3 V
Input High Threshold Voltage	Vt+	1.6	2.0	2.4	V	VDD = 3.3 V
Output Low Current	IOL	6	8		mA	VOL = 0.4 V
Output High Current	IOH		-16	-12	mA	VOH = 2.4V
Input High Leakage	ILIH			+2	μA	VIN = VDD
Input Low Leakage	ILIL			-2	μA	VIN = 0V
IN_t - TTL level input pin						
Input Low Voltage	VIL			0.8	V	
Input High Voltage	VIH	2.0			V	
Input High Leakage	ILIH			+2	μA	VIN = VDD
Input Low Leakage	ILIL			-2	μA	VIN = 0 V
IN_{ts} - TTL level Schmitt-triggered input pin						
Input Low Threshold Voltage	Vt-	0.5	0.8	1.1	V	VDD = 3.3V
Input High Threshold Voltage	Vt+	1.6	2.0	2.4	V	VDD = 3.3V
Input High Leakage	ILIH			+2	μA	VIN = VDD
Input Low Leakage	ILIL			-2	μA	VIN = 0 V

Note: All parameters tested at specific temperature. Specifications over temperature are guaranteed by design.

8.3 AC Characteristics



Serial Bus Timing Diagram

Serial Bus Timing

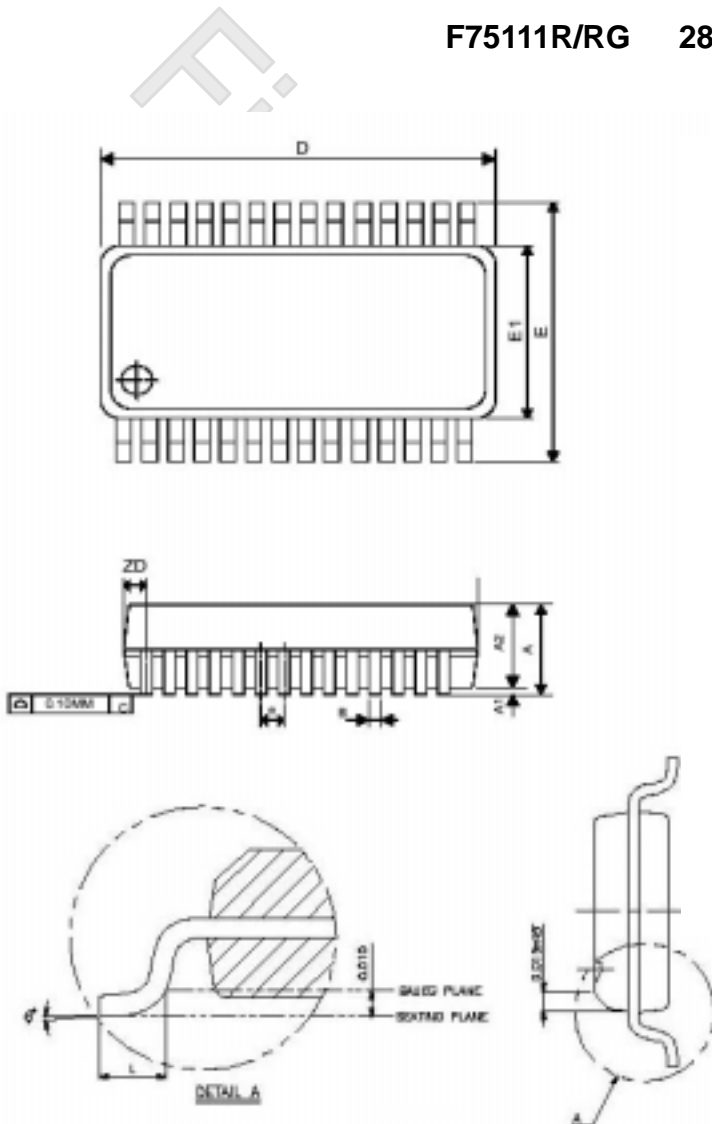
PARAMETER	SYMBOL	MIN.	MAX.	UNIT
SCL clock period	t_{SCL}	2.5		uS
Start condition hold time	$t_{HD;SDA}$	0.6		uS
Stop condition setup-up time	$t_{SU;STO}$	0.6		uS
DATA to SCL setup time	$t_{SU;DAT}$	120		nS
DATA to SCL hold time (data input)	$t_{HD;DAT}$	5		nS
SCL and SDA rise time	t_R		1.0	uS
SCL and SDA fall time	t_F		300	nS

Note : Timing spec. guaranteed by design

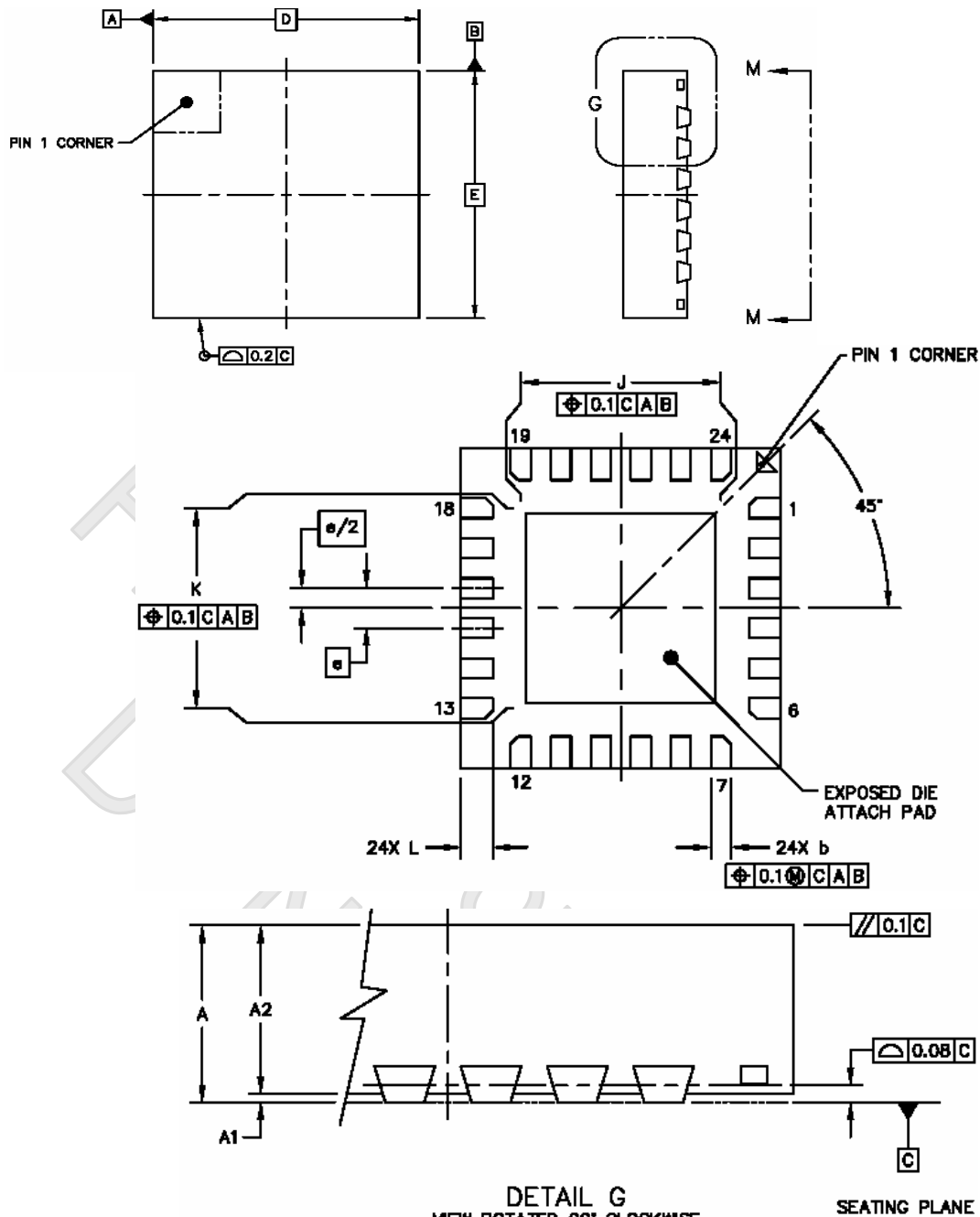
9. Ordering Information

Part Number	Package Type	Production Flow
F75111R	28 PIN SSOP	Commercial, 0°C to +70°C
F75111RG	28 PIN SSOP(Green Package)	
F75111N	24 PIN QFN (Green Package)	Commercial, 0°C to +70°C

10. Package Dimensions

F75111R/RG 28SSOP(150mil)


Symbol	Dimension in mm			Dimension in inch		
	Min	Nom	Max	Min	Nom	Max
A	1.35	1.63	1.75	0.053	0.064	0.069
A1	0.10	0.15	0.25	0.004	0.006	0.010
A2			0.50			0.059
B	0.20		0.30	0.008		0.012
c	0.18		0.25	0.007		0.010
e	0.635 BASIC			0.025BASIC		
D	9.80	9.91	10.01	0.386	0.390	0.394
E	5.79	5.99	6.20	0.228	0.236	0.244
E1	3.81	3.91	3.99	0.150	0.154	0.157
L	0.41	0.635	1.27	0.016	0.025	0.050
H	0.25		0.50	0.010		0.020
ZD	0.838 REF			0.033 REF		
θ	0°		8°	0°		8°

F75111N 24QFN(4mm x 4mm)


DIM	MIN	NOM	MAX	NOTES
A	0.8	0.9	1	1.0 COPLANARITY APPLIES TO LEADS, CORNER LEADS AND DIE ATTACH PAD.
A1	0		0.05	
A2	0.8		0.95	
b	0.18	0.25	0.3	
D		4 BSC		
E		4 BSC		
e		0.5 BSC		
J	2.32		2.42	
K	2.32		2.42	
L	0.3	0.4	0.55	



Feature Integration Technology Inc.

Headquarters

3F-7, No 36, Tai Yuan St.,

Chupei City, Hsinchu, Taiwan 302, R.O.C.

TEL : 886-3-5600168

FAX : 886-3-5600166

www: <http://www.fintek.com.tw>

Taipei Office

Bldg. K4, 7F, No.700, Chung Cheng Rd.,

Chungho City, Taipei, Taiwan 235, R.O.C.

TEL : 866-2-8227-8027

FAX : 866-2-8227-8037

***Please note that all datasheet and specifications are subject to change without notice.
All the trade marks of products and companies mentioned in this datasheet belong to
their respective owner***

Fintek
Do Not Confidential

F75111 Demo Circuit

