

Introduction

The 4 port hub is a Universal Serial Bus (USB) hub, which is an USB cable concentrator and a bridge between PC USB host controller and USB devices. The USB hub has one upstream port and four downstream ports. It supports both full speed (12M bps) and low speed (1.5M bps) devices such as mouse, keyboard, joystick etc. The USB hub provides self-powered mode, and also provides per-port overcurrent detection and protection.

Package Contains

The hub package will contains:

- ☞ One high speed USB hub for 4 ports
- ☞ One USB cable
- ☞ One power cable

System Requirements

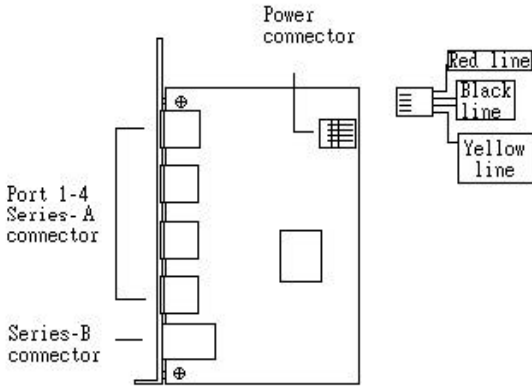
Windows 95 OSR 2.0 above or Windows 98.

Your PC must have USB host controllers inside the H/W system.

Key Features

- A real plug-and-play and hot-plugged device.
- Supports self-powered mode.
- Supports up to 127 physical devices.
- Per-port overcurrent detection and protection.

Sample Diagram



Specification

Function	Description
Upstream port (Root port)	1
Downstream port	4
Per-port Output Voltage	DC+5V
Per-port Output Current	500mA
Weight	56g
Dimension (L*W*H)mm	121*78*23(mm)

Power Mode

The 4 port USB hub card just supports **self-powered mode**.

Power Supply

The USB hub has a power cable, which connects the PC power connector and the USB hub power connector to increase the motivation power of the USB hub.

Installation

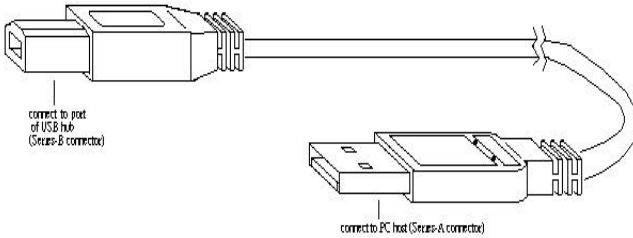
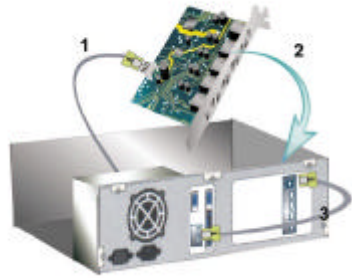


Figure 1.

1. Connect the PC's connector and the USB hub power connector by the power cable.
2. Connect the series-A connector of the USB cable into the downstream port of PC USB host connector or one downstream port of the upper level USB hub.
3. Connect the series-B connector of the USB cable into the upstream port of the USB hub.
4. Connect the series-A connector of USB devices into any one of the downstream port of the USB hub.



Note: Please install the USB hub card following the above procedures step by step.

Install USB Hub Device driver for Windows 98

After plugging the USB cable, Windows 98 will automatically detect the new hardware of the USB hub. These procedures require Windows 98 setup CD-ROM, and you will be prompted while inserting your CD-ROM.

In response to the message of Add New Hardware Wizard (Figure 2), you can insert the Windows 98 setup CD-ROM into the drive (Figure 4) and follow the system prompts step by step (Figure 5 & 6). Your USB hub has been installed correctly and is now ready for use.



Figure 2.



Figure 3



Figure 4



Figure 5



Figure 6

EM-UIH400

PLANET Technology Corp.



ISO9002

**UNIVERSAL SERIAL BUS
HUB CARD**

UIH-400
User's Guide