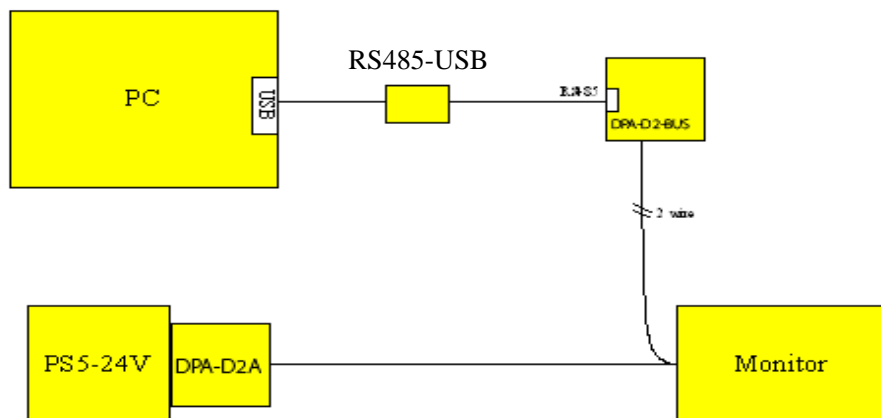
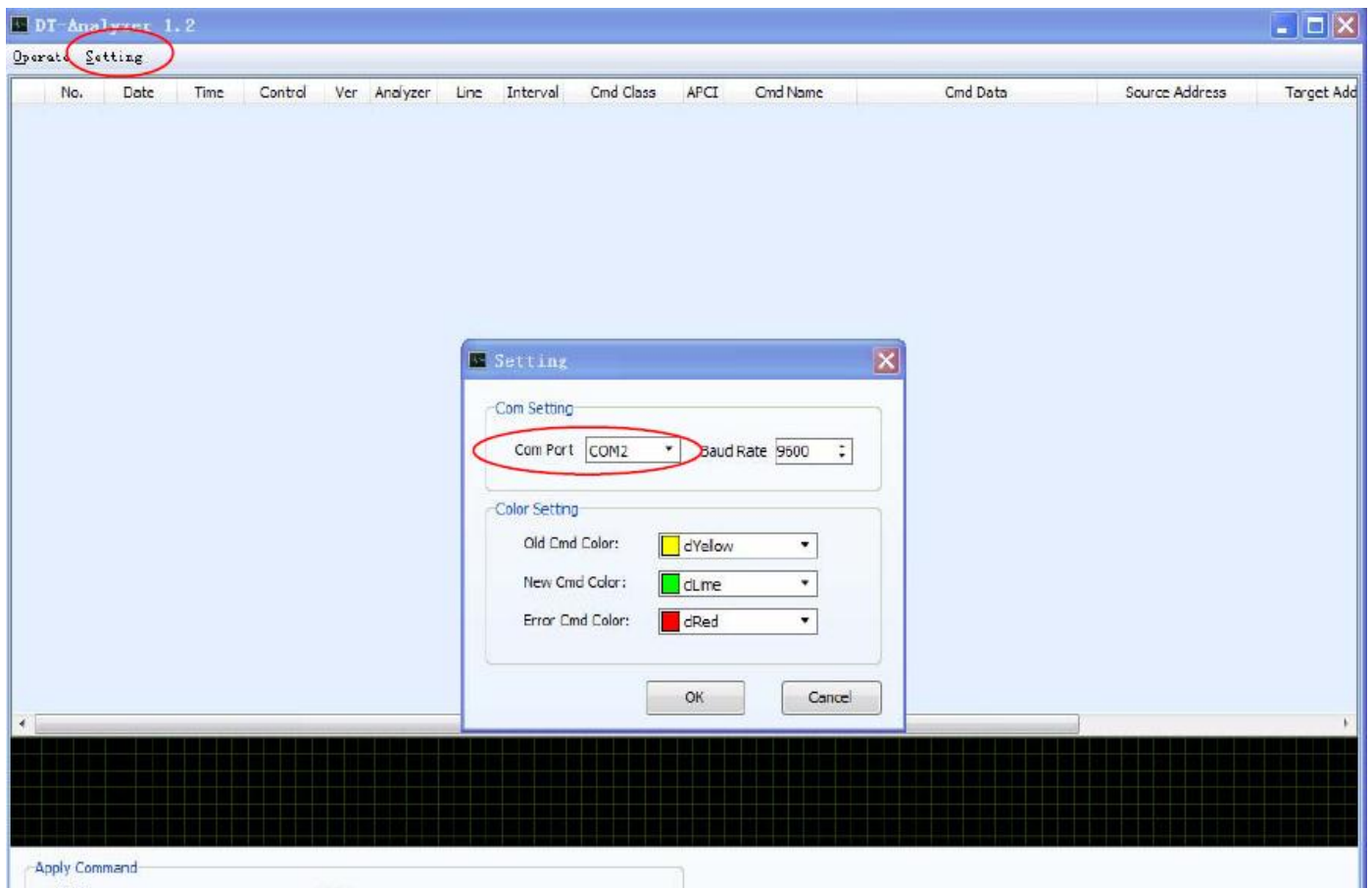


Updating Namelist via DPA-D2-BUS

1. Connect the 2-wire system, here we need DPA-D2-BUS and USB-RS-485 converter, and connect these devices as shown below.



2. Power the system. Now on the PC, Run the DT-Analyzer software. When first run the DT-analyzer, please go to setting and select the port number for USB-485 converter. Here it is COM2.



3. On the analyzer, go to debug and then click namelist to bring up the namelist interface, see below
After the namelist is made, click on download to send the namelist to all the monitors.

The screenshot shows a software interface titled "Setting". At the top left, there is a button labeled "Switch to Debug Mode". Below this is a table with the following columns: "User Code", "Room No.", "Name", and "Dp". The "Dp" column contains red icons representing device status, with "ON" and "CP" labels above them. The table lists user codes from 01 to 12. To the right of the table is a vertical scrollbar and a text box that reads: "The total length of roomno plus the name can't exceed 18 letters!". Below the text box are three buttons: "Download", "Import", and "Export". At the bottom of the interface, there are several status indicators: "Debug", "NameList", "Trace Mode", and "Debug Mode". The "COW2" indicator is circled in red.

User Code	Room No.	Name	Dp
01			ON CP
02			ON CP
03			ON CP
04			ON CP
05			ON CP
06			ON CP
07			ON CP
08			ON CP
09			ON CP
10			ON CP
11			ON CP
12			ON CP