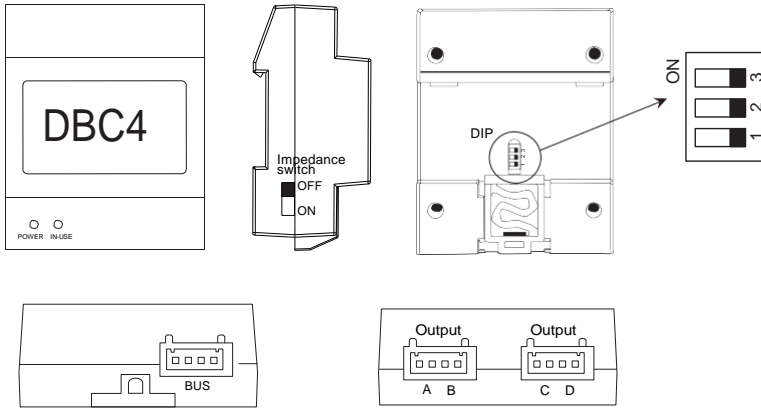


1. Parts and Functions



IN-USE:Status indicator,it will light up when receives signal.

POWER:Working indicator,it will light up when plugs in power supply.

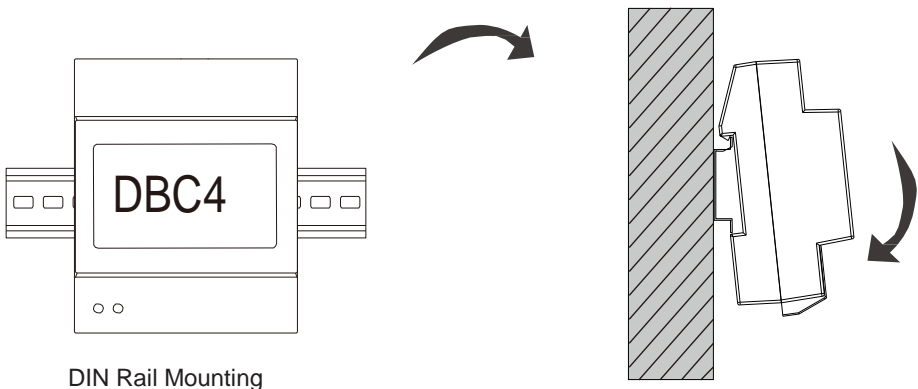
Impedance Switch:Video match switch, the last DBC4 at the end of the bus should set ON to match the video impedance, the power indicator will turn to orange after setting.

Bus:Input port,bus connection port.

A,B,C,D:Output port,connect to indoor monitors or door stations.

DIP :Used for current control when connected with different devices.

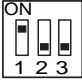


2. Unit Mounting



DIN Rail Mounting

3. DIP Switch Setting

The DIP switch in the back of the panel is used to adjust the terminal start-up current. Please refer to the followings for more detail informations about the DIP settings:

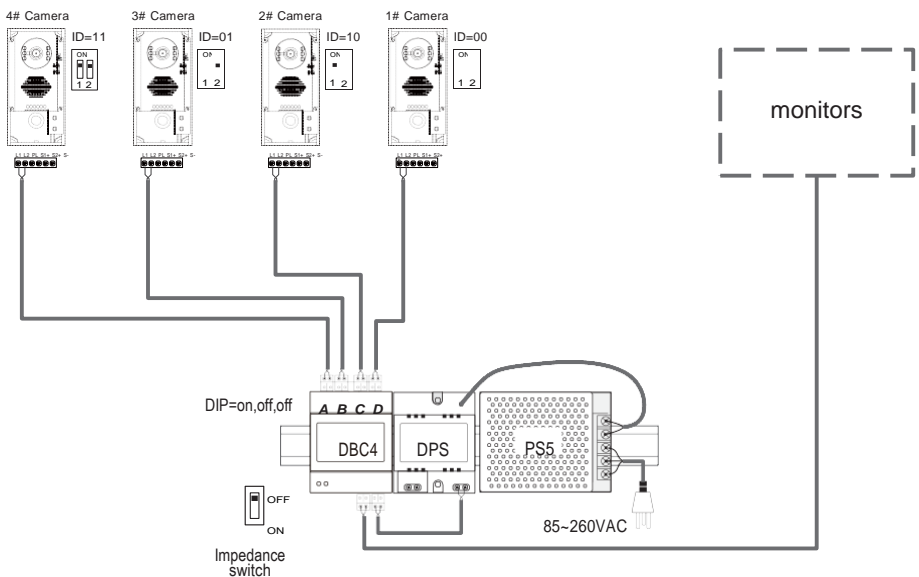
DIP	Bit State	Descriptions
	ON,OFF,OFF	The output port A,B,C,D connected with the device such as monitor(all D2 model monitors),outdoor camera(e.g.DPC-D241),and DPC-D211 series without ID function model.
	OFF,ON,OFF	The output port A,B,C,D connected with DPC-D211-xx-ID series with ID function model.
	OFF,OFF,ON	The output port A,B,C,D connected with DPC-D218ID series door station.

Please note that DPC-D24x (like DPC-D241-1) and DPC-D218 can not be connected to the same DBC4, If it happen,please use two DBC4.

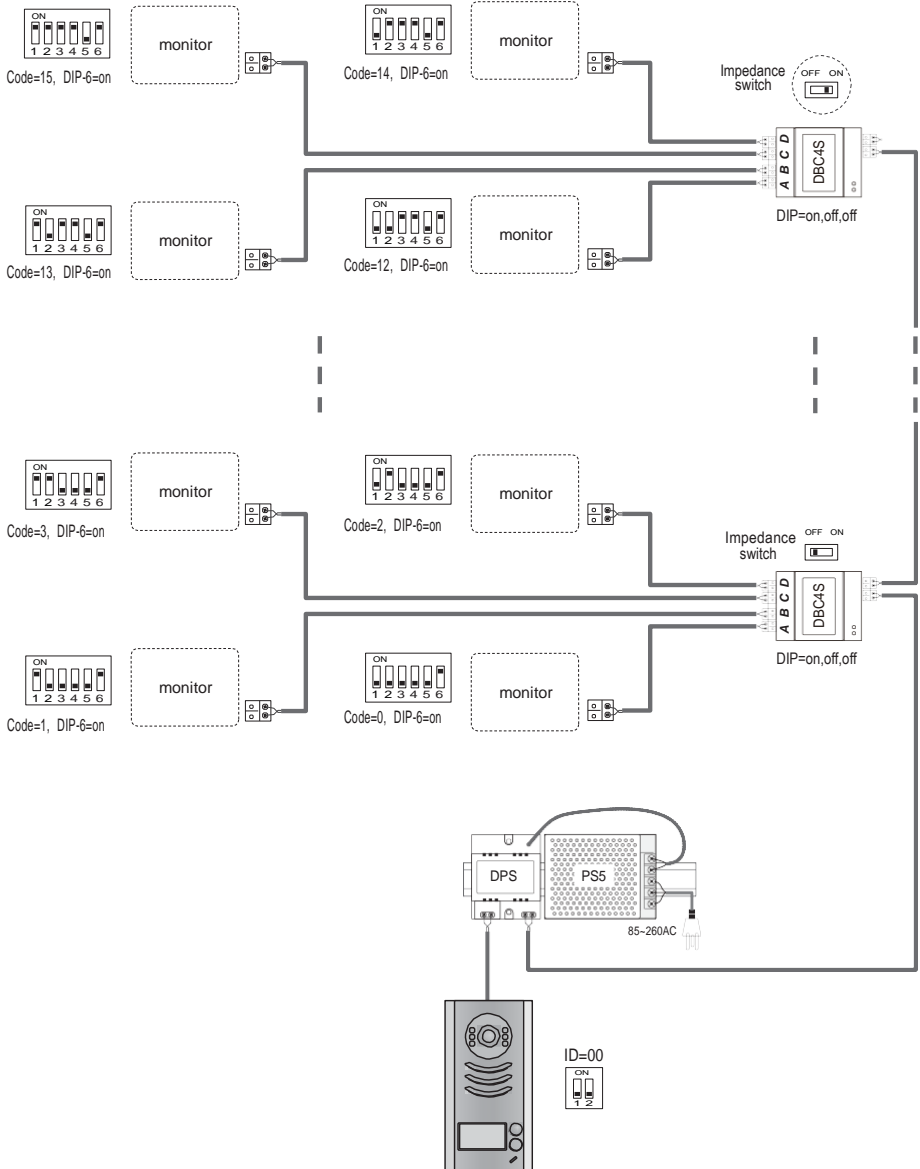
The same situation as DPC-D211 and DPC-D218 model.

4. System Wiring with DBC4

Mult Door Station Wiring:



Mult Monitors Wiring:



5. Specification

Power Supply :	DC24V
Working Temperature:	-10°C~+40°C;
Wiring:	2 wires (non-polarity);
Dimension:	89(H)×70(W)×45(D)mm