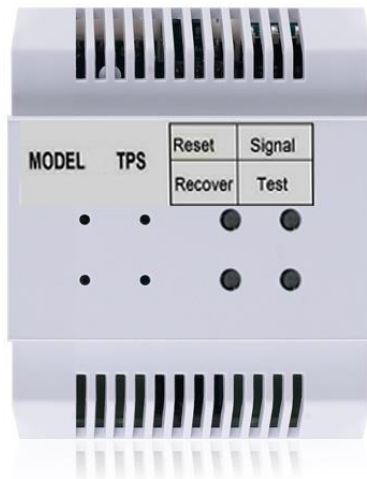


DPA-D2-TPS

a telephone interface for
2-wire doorstation system



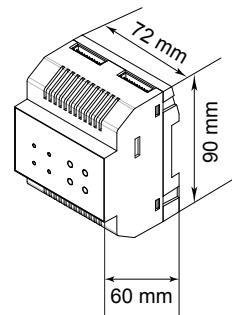
About TPS Unit

Discription:

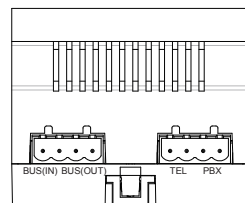
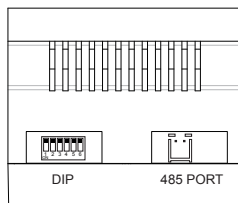
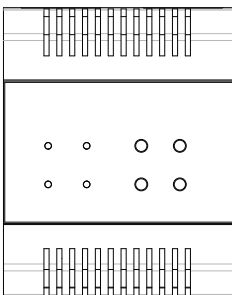
The TPS unit is a telephone converter designed for DT 2-wire system to divert calls from outdoor station to telephone or mobile phone. With TPS unit, you can communicate with outdoor visitor by your telephone or mobile phone which just like a remote control, you can do the operation of talking, unlock and so on.

Features:

- Maximum 3 telephone numbers can be set on monitor.
- Must be with Call Transfer function for monitor
- Divert Calls from monitor to telephone via TPS ,the TPS is like a telephone, when setting the diversion function, door station calls TPS first, then divert to the telephone number you set.
- Application: villa and apartment



1. Terminal Introduction



DIP:

DIP switches, DIP settings refer to 3.

485 PORT:

485 connection port, used to update the software for TPS.

BUS(IN):

Input port, connect to power supply.

BUS(OUT):

Output port, connect to Monitor.

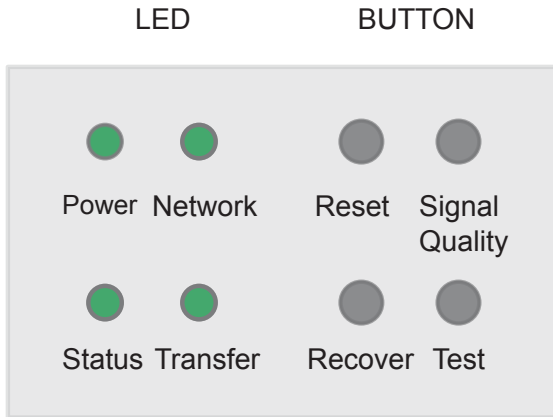
TEL:

Connect to the telephone.

PBX:

Connect to the telephone network.

Configuration:



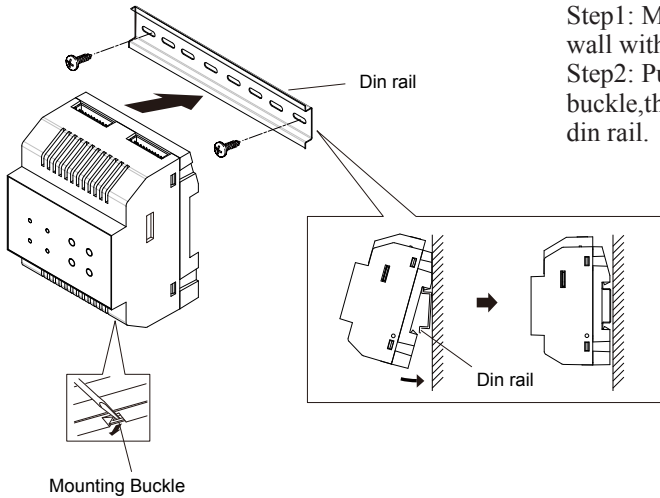
* The instructions of indicator:

LED indicator	Descriptions
Power	-LED off When the TPS not working
	-LED flashes rapidly when the system error
	-Always on when the TPS work normally
Network	-Always on when the TPS kits work normally
Status	-LED flashes one time when the system receives the effective instruction
Transfer	-LED off When there is no call transfer
	-LED flashes slowly when the TPS in the transfer waiting state
	-LED flashes 3 times rapidly when the TPS transfer failed
	-Always on when the system in the talking state
	*LED flashes one time when its settings are being restored to default

* The instructions of button:












Button	Descriptions
Reset	-Press Reset button for 3 seconds,it will restart the TPS.
Signal Quality	-Reserved
Recover	-Press Recover button for 3 seconds, its settings will be restored to default
Test	-Reserved

2. Mounting



Step1: Mount the din rail to the wall with screws ;
Step2: Pull down the mounting buckle,then hang the unit on din rail.

3. DIP Switches Setting for TPS

Bit	Bit State	Description
DIP1		Set to OFF, the TPS no connection.
		Set to ON, DT system connected telephone network via local switch.
DIP2		Set to OFF, the TPS no connection.
		Set to ON, DT system connected telephone network directly.
DIP3		Door Station speaker adjust—set to OFF, the volume is normal.
		Door Station speaker adjust—set to ON, the volume is twice louder than normal.
DIP4		Door station micphone adjust—set to OFF, the volume is normal.
		Door station micphone adjust—set to ON, the volume is twice louder than normal.
DIP5		Reserve
DIP6		Set to OFF, it shows the system is villa.
		Set to ON, it shows the system is partment.

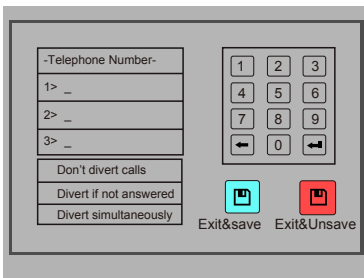
Note:

DIP1 and DIP2 can not be "on" state at the same time.

DIP3 and DIP4 can not be "on" state at the same time.

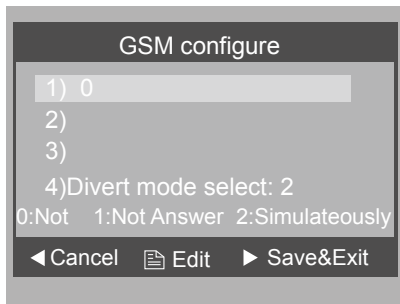
4. Telephone Number Setting on Monitor

Touch screen monitors:



- Maximum 3 telephone numbers can be set, touch the telephone number frame, then input the the number by touching the digital keypad.

Button operation monitors:



- Maximum 3 telephone numbers can be set, Use ▲ / ▼ Button to move upward / downward to select the item, then press the MENU button to edit. Use ▲ / ▼ Button to increase / decrease the value, and use ► button to input next digital, use ► button to ◀ button to cancel the input. press the MENU button again to finish the edit operation.

Note:

- There are 3 types of divert modes:
- 1: Don't divert calls----calls from outdoor station will not be diverted.
- 2: Divert if not answered----outdoor station calls indoor monitor firstly, if nobody answer the call within 25 seconds, the call will be diverted to the telephone number you set. At this mode, the monitor will shut off immediately when TPS diverts successfully, while it won't affect the communication between TPS and outdoor station. Otherwise, the monitor can do the operation of monitoring, talking, and unlocking.
- 3: Divert simultaneously----calls from outdoor station will be diverted to your telephone immediately. At this mode, the monitor won't shut off when TPS diverts successfully, but if the monitor answers the call at this time, TPS will quit absolutely.

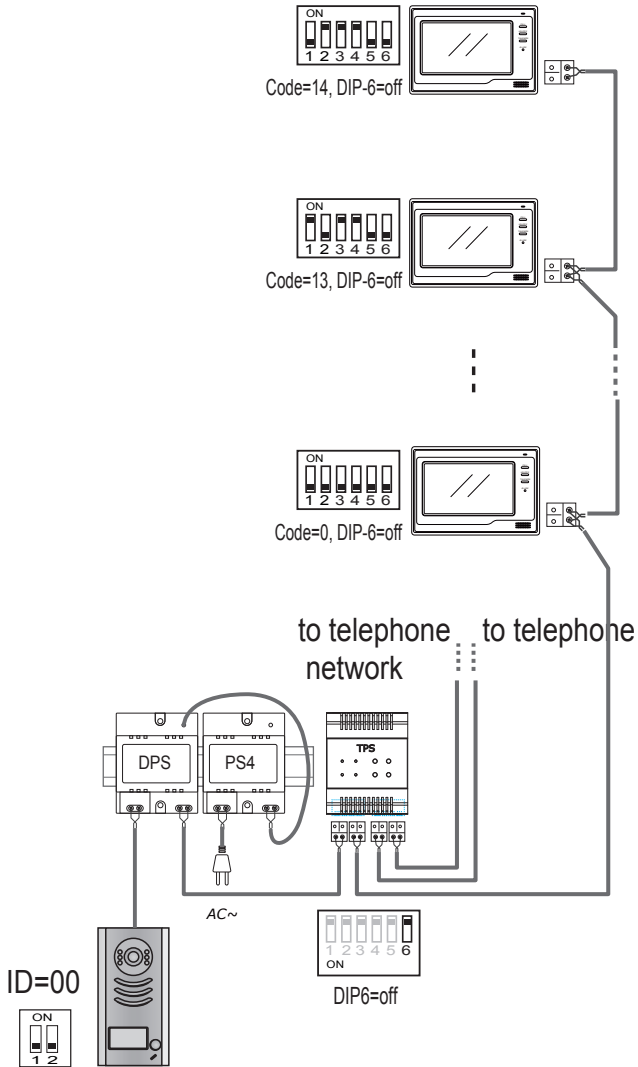
5.Operation Instructions

Note: Divert function is activated in the following instructions

Item	Discription
Unlocking	<ul style="list-style-type: none"> • Input 1# on your telephone or mobile phone to release the first lock • Input 2# on you telephone or mobile phone to release the second lock
Hanging up	<ul style="list-style-type: none"> • Input 9# on your telephone or mobile phone to hang off absolutely
Calling next telephone number	<ul style="list-style-type: none"> • 1:At least 2 telephone numbers must be set on monitor • 2:During communication between telephone and outdoor station,"#" button has not been input on telephone and the calling time of each group number is less than 80 seconds.
Calling slave telephone	<ul style="list-style-type: none"> • Add a letter "P" between master telephone and slave telephone.The TPS will call the slave telephone directly.

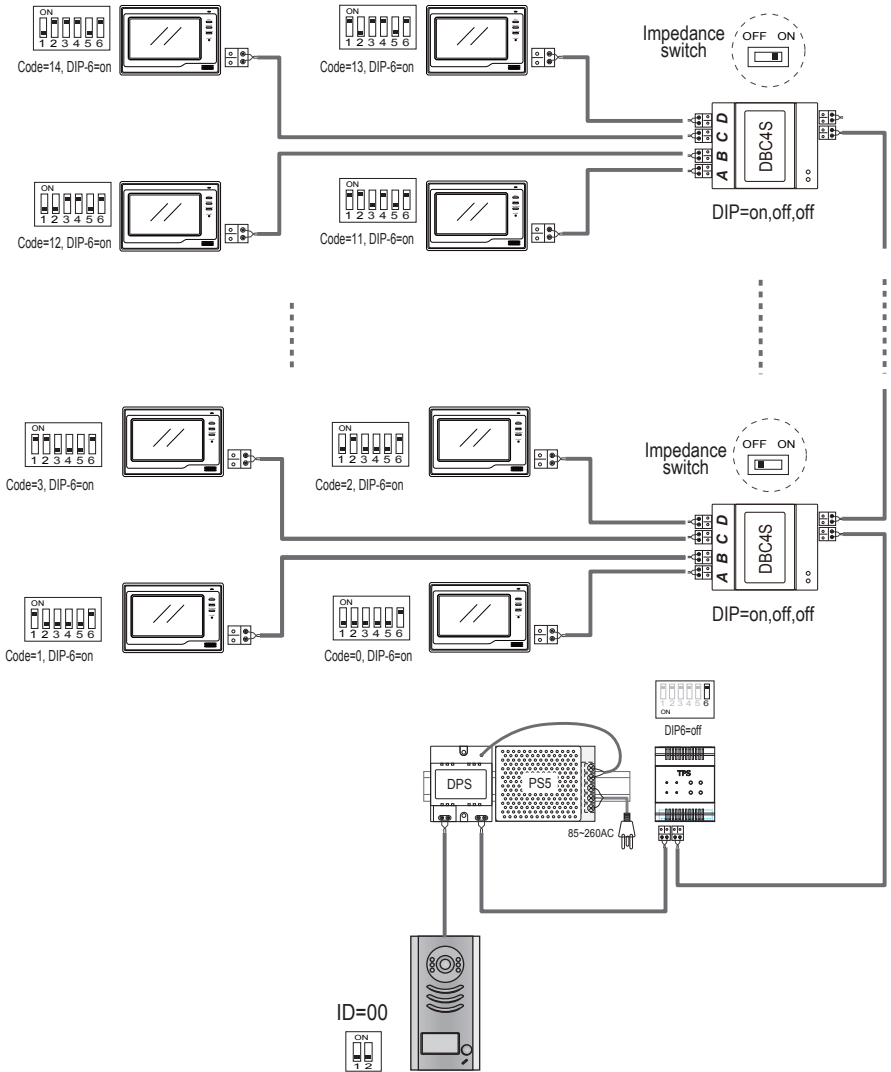
6. Wiring

Basic in-out mode(for villa)



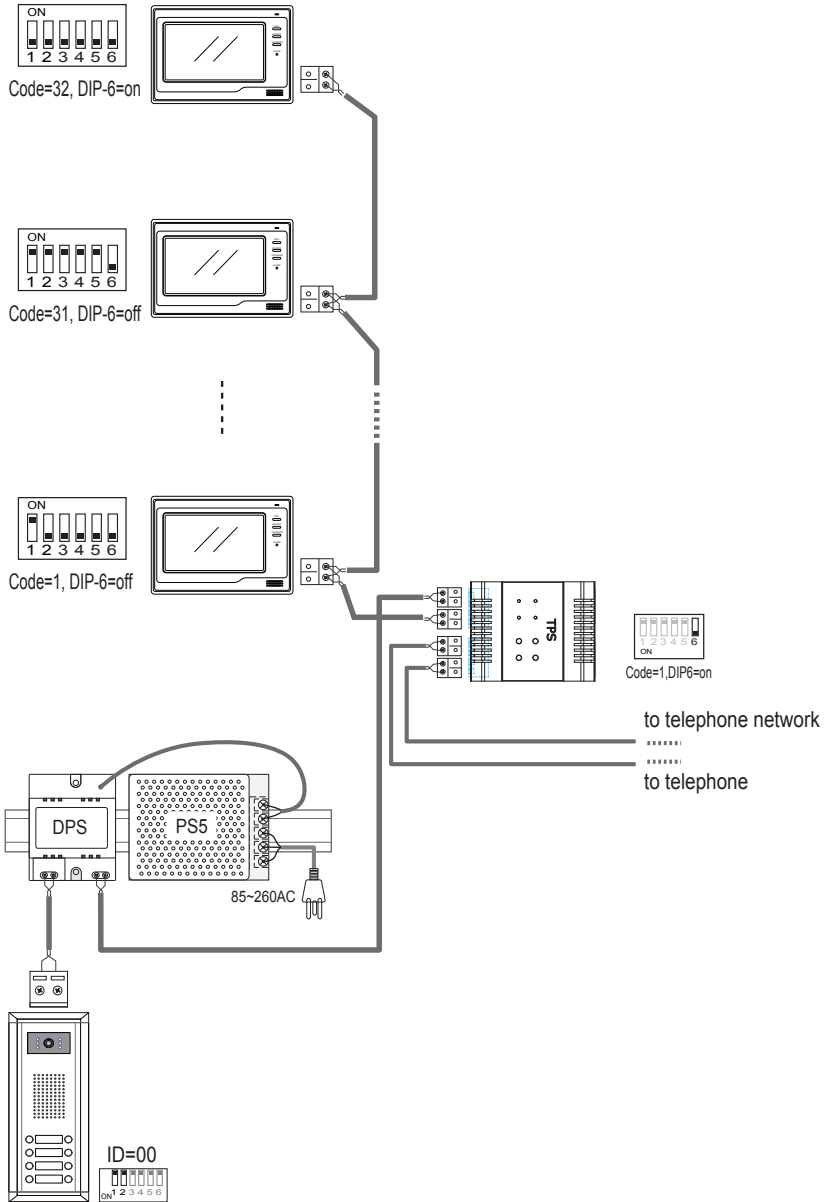
Note: The TPS unit occupies a user code of 15

Star wiring mode(for villa)

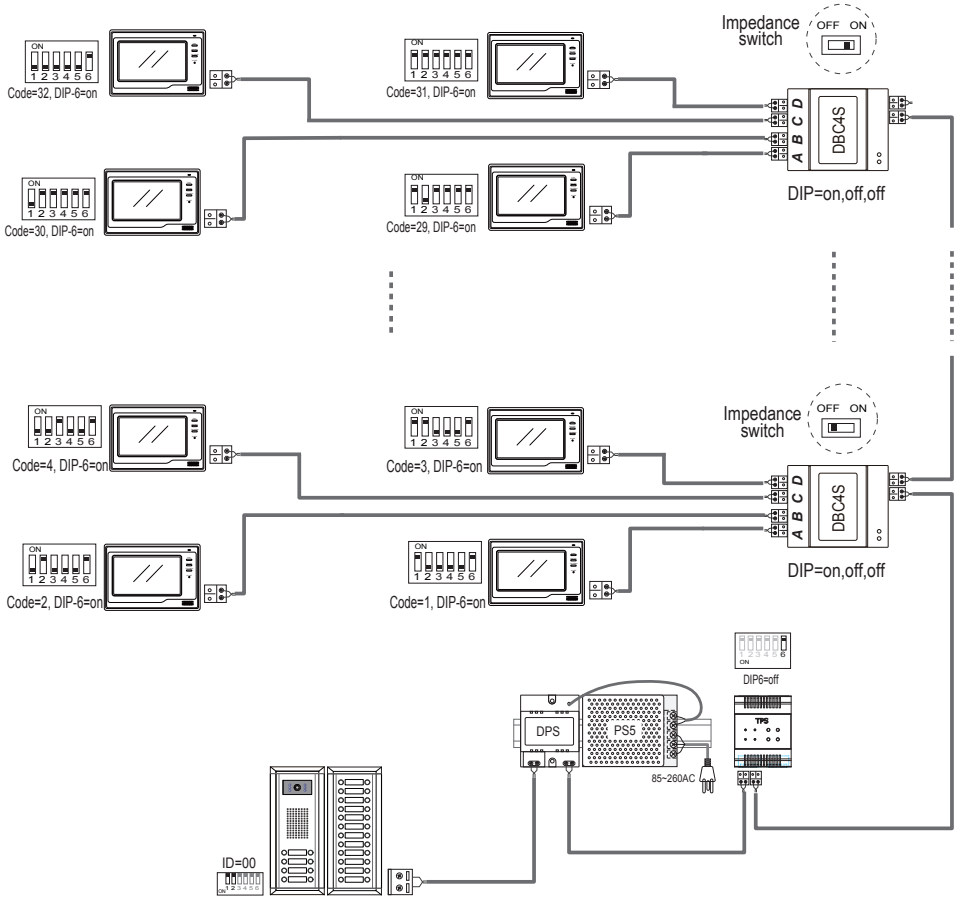


Note: The TPS unit occupies a user code of 15

Basic in-out mode(for apartment)



Basic star wiring mode(for apartment)



7.Specification

Power input:	DC 20~28V
Power Consumption:	Standby(26V):30mA;working(26V):80mA
Working temperature:	-10°C +40°C
Wiring:	2 wire,non-polarity
Dimension:	90(H)X72(W)X60(D)mm