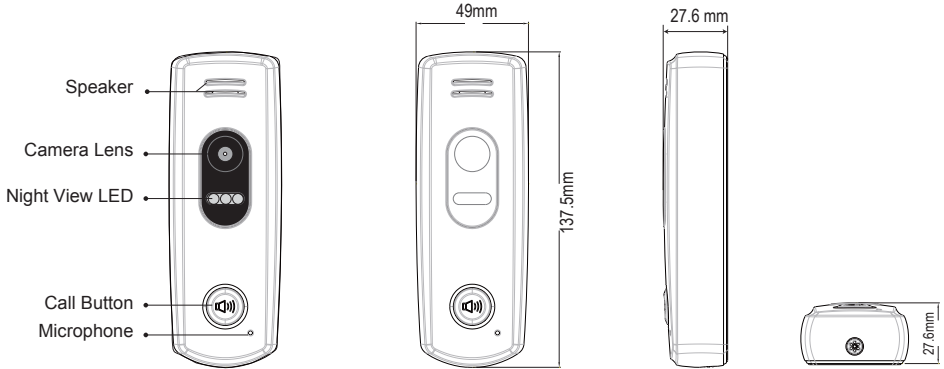
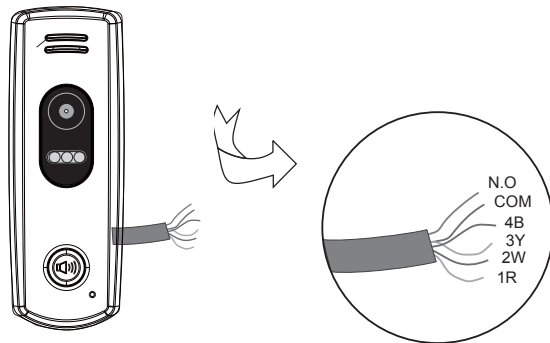


1. Parts and Functions



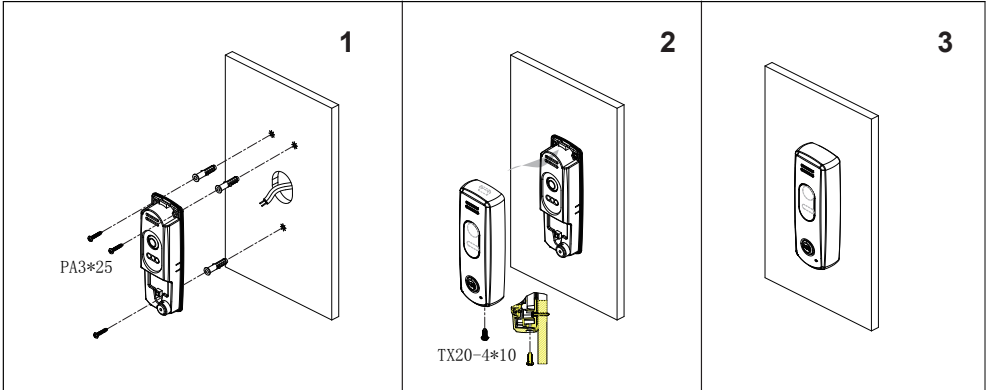
2. Terminal Descriptions



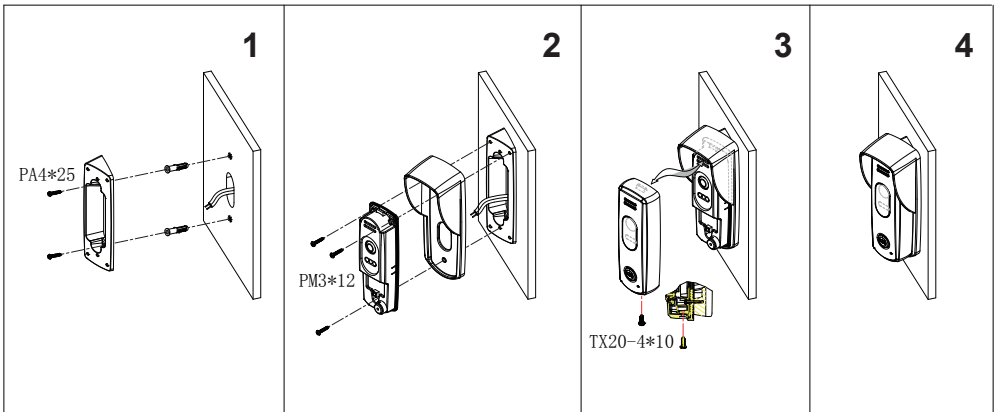
- **1R** (Red): Power positive. +12V present when Door Station calling or being monitored.
- **2W** (White): Power negative (Ground).
- **3Y** (Yellow): Image signal (Video signal).
- **4B** (Black): Talk and control signal (Audio signal).
- **COM**(Blue), **N.o**(Green): Normally opened connection port.

3. Mounting

3.1 Mounting Without Rainy Cover



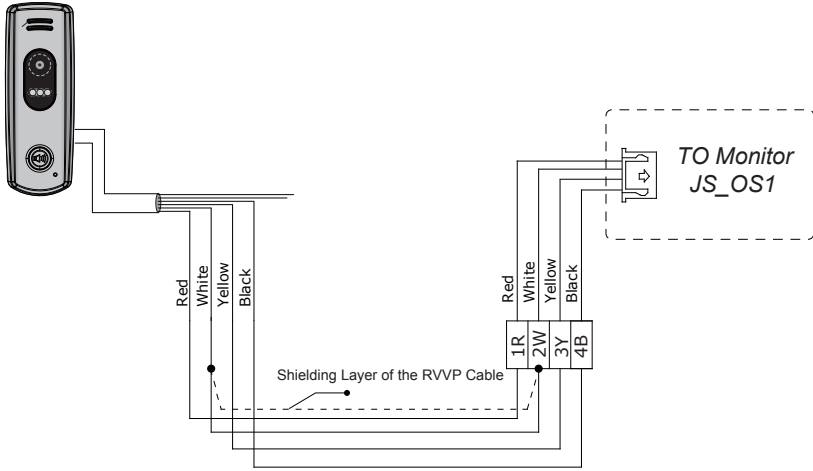
3.2 With Rainy Cover and 30 degree angle



Note: Both rainy cover and 30 degree angle accessories are supplied separately.

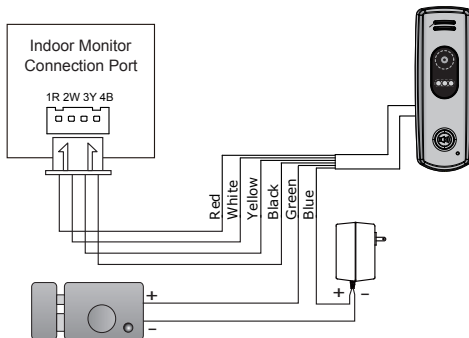
4. System Wiring and Connections

4.1 Basic Connection



4.2 Electric Lock Connection

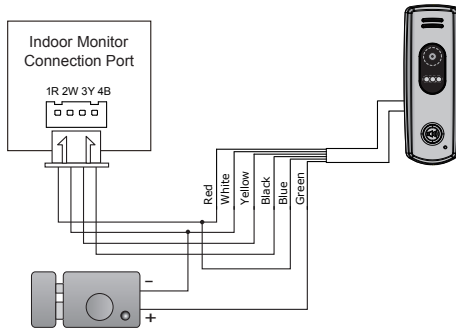
- **Mode1:Door Lock Controlled With External Power**



Note:

1. Electronic lock of power-on-to-unlock should be used.
2. The inside relay contact is restricted to DC 24V/1A.

- **Mode2:Door Lock Controlled With Internal Power**



Note:

1. Electronic lock of power-on-to-unlock should be used.
2. The door lock is limited to 12V, and holding current must be less than 250mA

5. Precautions

- Do not install camera/bell where there would be a bright light behind the visitor (or where there would be a bright background), or in a place where the camera lens would be directly exposed to sunlight or a bright light. If light shines directly into the outdoor camera lens, the image will be over-exposed; it will look white or silhouetted. Take precautions against this.
- Do not install the unit in places where High or extreme cold temperature, moisture or humidity extremes, Constant vibration or impact, steam or smoke.

6. Specifications

Power Supply:	DC 10~12V (powered by monitor)
Consumption:	150mA in working state (latch not included)
Video Output:	75Ohm, 1Vp-p
Camera Lens:	1/4 ACS 4T image sensor with DSP processor
Working Temperature:	-10°C ~ 40°C
Dimension:	137(H)x49(W)x28(D)mm