

# Installation Manual

## DPC-445ID Outdoor Station (Door Camera with Card Reader)

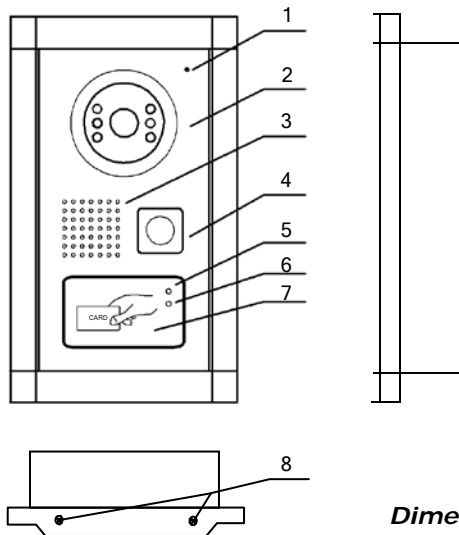
### Features:

- Suitable for 4-wires Single Entry system, compatible with VT6xx serials of monitors
- Stainless steel panel, connect up to 4 Monitors directly
- Flush mounting, with metal box
- Capable of installing with Rainy Cover in flush mount
- ID card or tags access security

### Package List:

- DPC-445ID unit
- 2 Master tags, for add and delete user cards
- 5 user tags (already authorized)
- C3-4P cable to connect Monitor
- 2\*C3-3P cable to connect latch, and JS/AP socket on Monitor
- 2\*C3-2P cable to connect DC(+12V), and exit button

### Parts and Functions:

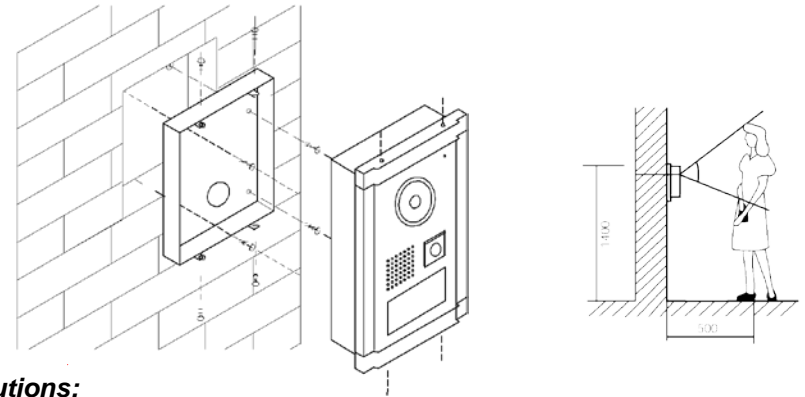


1. Microphone
2. Camera
3. Speaker
4. Call Button
5. Access LED
6. Power LED
7. Card window
8. Fix screws (4)

**Dimensions:** 220(H)x125(W)x50(D)

### Mount Instruction:

- Cut a hole in 200x117x35mm size on the wall, input and fix mounting box with screws.
- Wire the cables, and test the single entry system until it works.
- Put the DPC-445ID body into the box, then tight the screws firmly on top and bottom.



### Precautions:

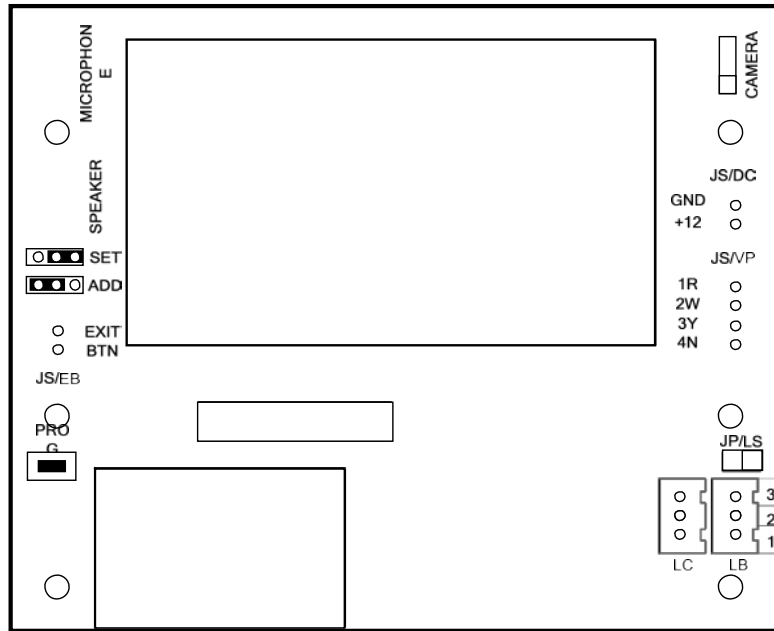
- Do not install in a place where there would be a bright light behind a visitor (or where there would be a bright background), or in a place where the camera lens would be directly exposed to sunlight or a bright light. If light comes in on the unit's screen, the image looks white or silhouetted, this is not a unit malfunction.
- Do not install the unit in places where High or extreme cold temperature, moisture or humidity extremes, Constant vibration or impact, steam or smoke.

### Specifications:

- Power Supply: DC 10~12V (Powered by Monitors)
- Power Consumption: 200mA in working state (latch is not included)
- Video Output: 75Ohm Impedance, 1Vp-p, CCIR standard (unless specified)
- Camera: 76 degree, CCD or CMOS camera with IR-LED for night vision
- Working temperature: -10 ~ 40 degree
- ID cards or tags: EM type or compatible
- Cards Capacity: 50 user cards
- Unlock timing: 5 seconds (or controlled by monitors)

## Wiring Terminals on DPC-445ID

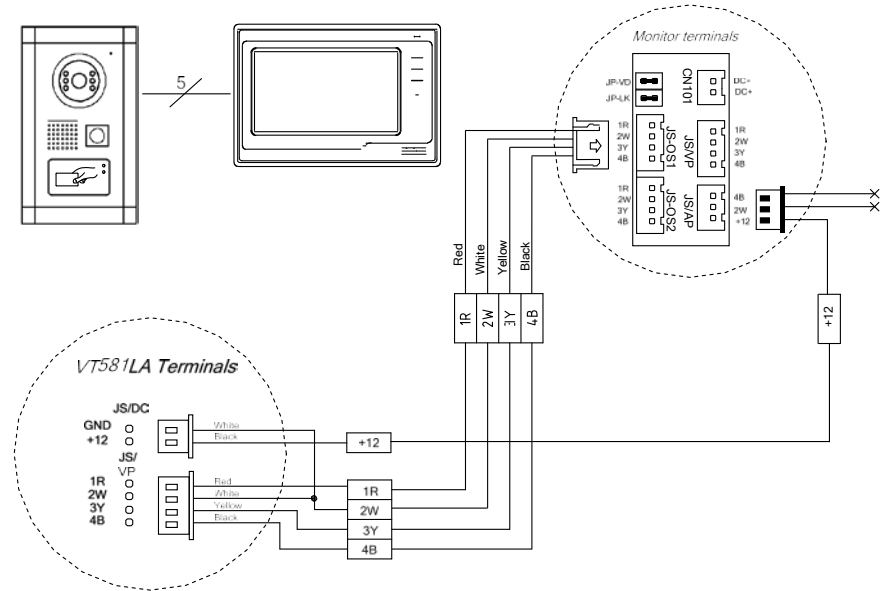
### Illustration of DPC-445ID PCB Board



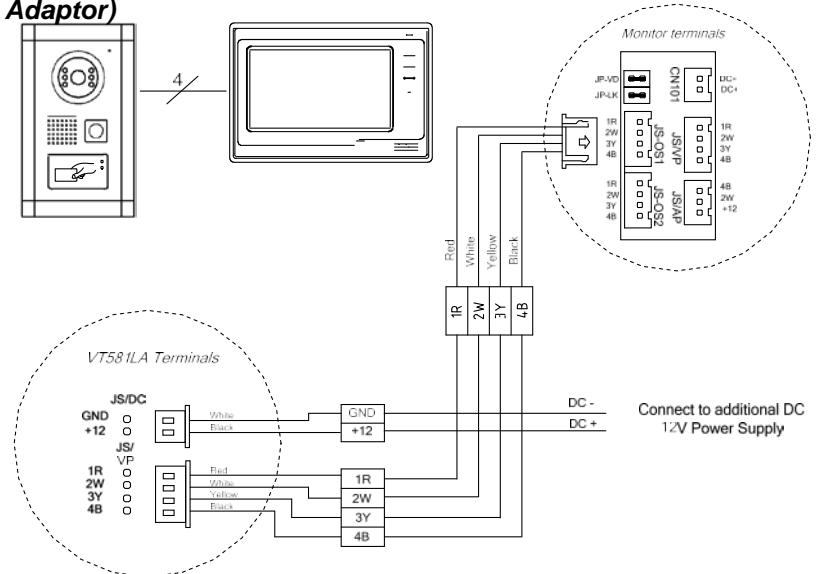
### Terminals description

- JS/DC: Connect to JS/AP on the Monitor, or external +12V Power Supply
- JS/VP: Connect to JS/VP on the Monitor
- JS/EB: Connect to external Exit Button
- LB: Connect to latch (Dry Contact Mode)
- LC: Connect to latch (DC output Mode)
- JP/LS: Must be taken off if external Power Supply for latch is used
- SET Jumper: Reserved, always set to right
- ADD Jumper: If two DPC-445ID are installed, set ADD to right for 2nd DPC-445ID
- PROG Button: Button used to authorize master cards

### Wiring Diagram 1 (DPC-445ID is powered by Monitor)

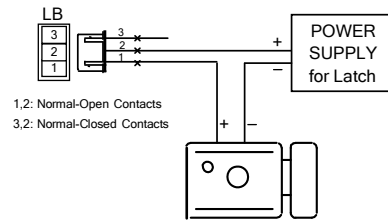


### Wiring Diagram 2 (DPC-445ID is powered by Additional +12V Adaptor)



## Electronic Latch connecting instructions

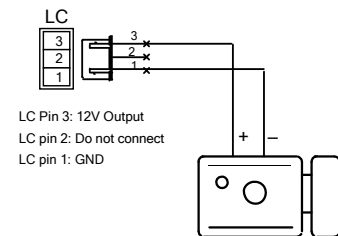
### Mode 1: With Monitor's JP-LK Jumper (Dry contact)



Extra power supply for latch must be installed, and nearly all kinds of electronic latch can be used. In this mode, you can continue talking and monitoring during unlock operation.

**Note: JP/LS Jumper must be taken off.**

### Mode 2: Without Monitor's JP-LK Jumper (DC output)



If the latch (normally door Strike) rated voltage is DC 12V, and less than 500mA consumption. The Latch can be directly connect and powered by Monitor.

During unlock operation, the monitor will close screen automatically.

**Note: JP/LS Jumper must be reserved.**

## Operation Instructions

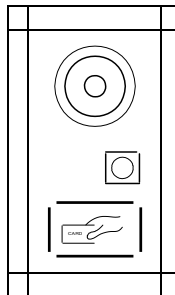
The upper LED is for access indicator, and will light after a valid User card is shown. The bottom LED is for state indicator, normally light in red, and turns to orange during programming.

There is a beeper inside DPC-445ID, in working state:

- If a valid user card is shown, long beep;
- If a invalid card is shown, three short beep;

In programming state:

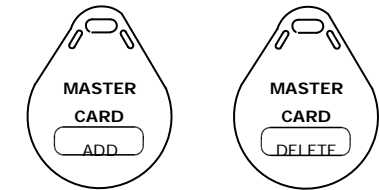
- Enter Programming state, long beep with short beep;
- Exit Programming state, two short beep;
- For user cards authorization, long beep if adding successfully, two long beep if repeated, five short beep if the user cards are full (more than 50).



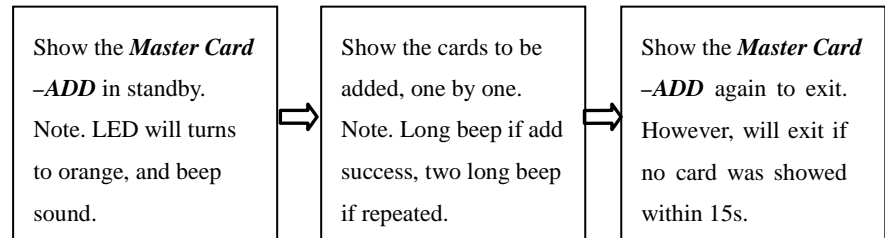
## How to Program User Cards

The Master cards are necessary when you add or delete user cards.

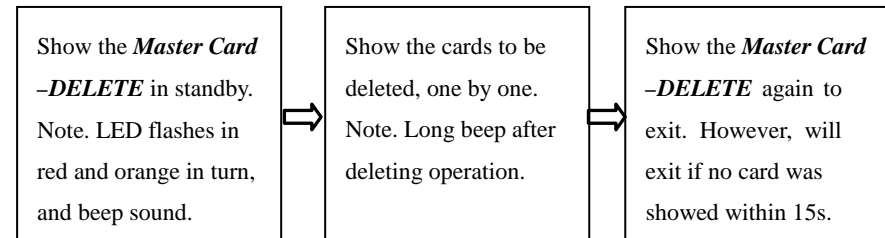
Please keep the Master cards carefully.



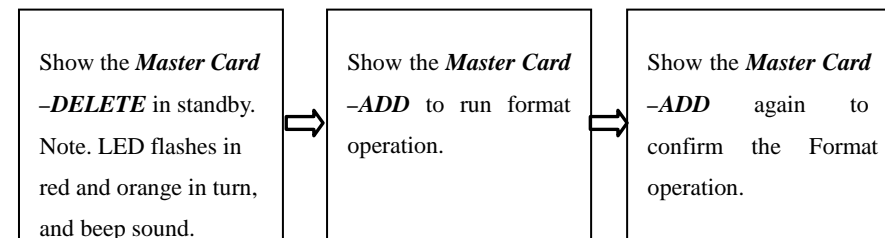
### Add user cards



### Delete user cards

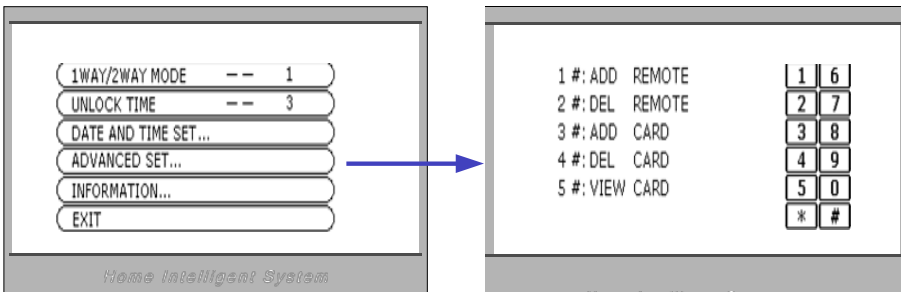


### Delete all user cards(Format operation)



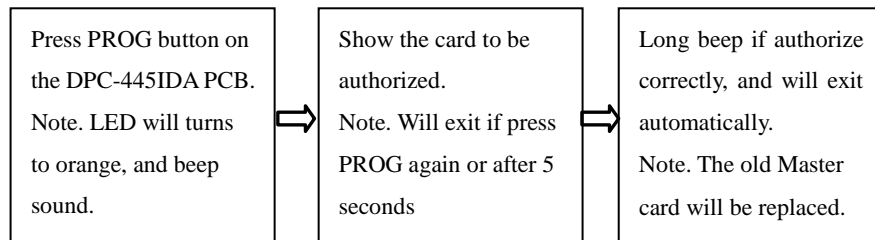
**Program Instructions (Operate through Monitor)**

- Refer the Monitor manual to enter SETUP MENU, select INSTALLATION..., then input password, you will see the Installation Menu on the Screen.
- Select ADVANCED SET.. to enter, input 3# to add cards, and 4# to delete cards.
- Please note, only DPM-D272T, DPM-471T, Monitors will support this operation.

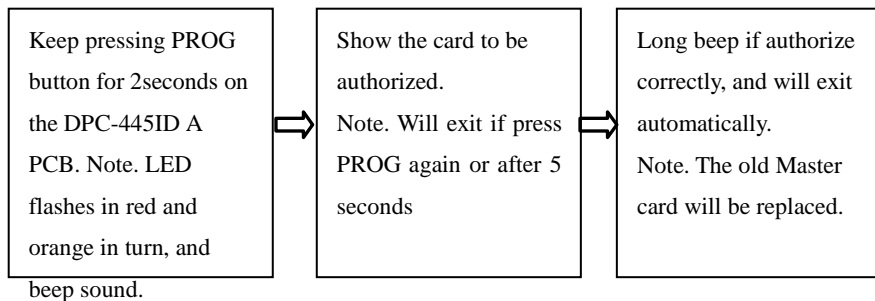


**Program Instructions (Master Cards)**

**Authorize master card-ADD**



**Authorize master card-DELETE**



The design and specifications can be changed without notice to the user. Right to interpret and copyright of this manual are preserved.