

DOME51R25VH-WP1

MANUAL



FEATURES

1. IP67(Waterproof)
2. Mechanical filter exchange(True Day & Night), built-in WDR function.
3. Durable MATERIAL : Body – Aluminum, Dome – Polycarbonate
4. This camera is incredibly flexible to install with its 3-axis camera construction, which makes the camera ceiling, wall or slope mountable.
5. 25M range visible in total darkness with 24pcs of IR LEDs.
6. Adopted DNR technology, It reduces noise efficiently in low light condition.
7. Advanced High Resolution.
8. Multi-language full OSD support.

PRECAUTION

1. You can install the camera indoors or outdoors.
2. Choose an ideal location for the camera, since a camera unit must be protected against vibration.
3. Be careful not to scratch the camera unit, especially lens or dome cover.
4. Use the camera within the temperature(-25°C ~ +50°C). [W/HEATER(option)]
5. Avoid any direct sun light toward the lens.
6. Use the AC adaptor 12V DC, 1A regulated.
Dual voltage product can use 24V AC, 1A adaptor.(option)

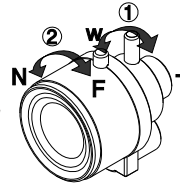


If the product is to be put out of operation definitively, take it to a local recycling plant for a disposal which is not harmful to the environment.

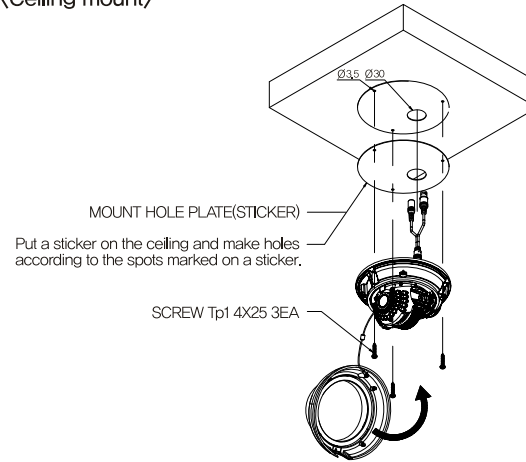
HOW TO INSTALL

1. Camera installation

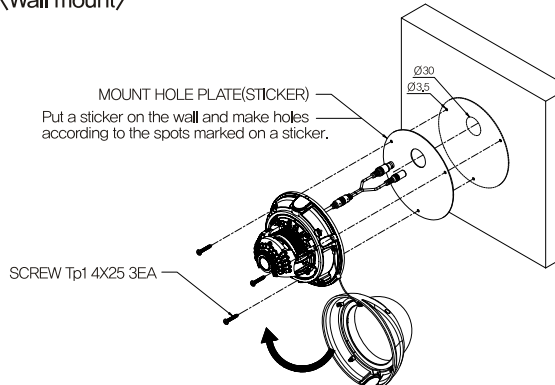
- (1) Fix the camera set with the supplied screws on ceiling or wall mount. If you don't use supplied screws, the camera may fall off.
 - (2) Please refer to '3. Camera angle adjustment' regarding adjust camera angle.
 - (3) Lens adjustment(Vari-focal Lens only)
After opening the LED cover,
 - ① By turning the "Tele-Wide" knob, you can access a range of focal lengths within specified limits.
 - ② Since then, by turning the "Near-Far" knob, you can set the focus toward the wanted object.
 - (4) Re-assemble the camera.
- <Caution>** To avoid scratching the dome cover please leave the protective film on until the dome is safely installed.



<Ceiling mount>

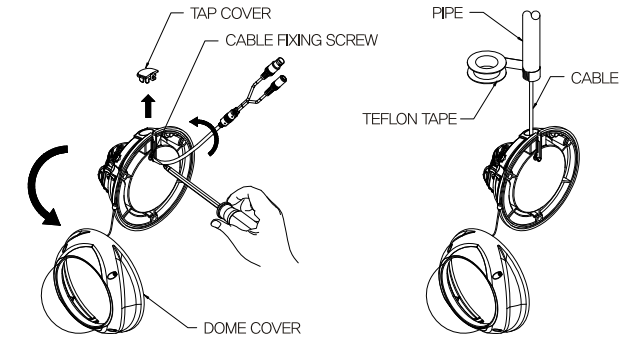


<Wall mount>



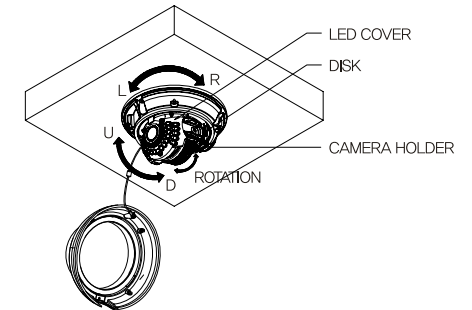
2. Pipe application

- (1) Remove the screw for fixing a cable on the bottom of the base.
 - (2) Open the DOME COVER.
 - (3) Remove the TAP COVER and place the cables there.
 - (4) After distributing cables, use the TEFLON tape to wipe the pipe.
 - (5) Combine the pipe to the base.
- <Caution>** If you don't wipe TEFLON tape on pipe, it might cause troubles on water-resistant.

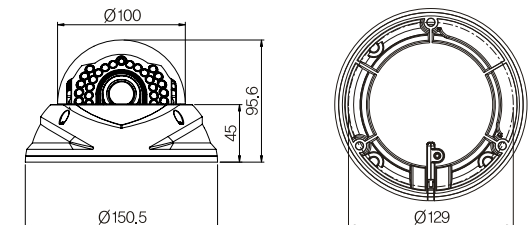


3. Camera angle adjustment

- (1) **Pan adjustment** : Grasp the disk of camera and then adjust direction to the right(-160° ~ 190°)
 - (2) **Tilt adjustment** : Grasp the LED cover of camera and then adjust direction to the up or down(6° ~ 90°)
 - (3) **Roll adjustment** : Grasp the camera holder and then rotate (-178° ~ 178°)
- <Caution>** If you try to adjust the camera out of limited angle, it might cause troubles and damage to camera.



DIMENSION



● SPECIFICATION

Model No.	DOME5IR25VH-WP1
Image Sensor	1/3" PIXIM DPS SENSOR
Effective Pixel	720(H) X 540(V) PIXEL
Resolution	540 TV-Line
TV Type	NTSC / PAL
Sync. Type	Internal
Scanning System	2 : 1 Interlace
Video Output	1.0 Vp-p(Sync, Negative) Termination 75Ω ±10%
Gamma Characteristic	γ = 0.45(Selectable)
Min. Illumination	0.1 Lux(Sense up x32), 0 Lux(LEDs ON, 25M Range)
S/N Ratio	More 50 dB(AGC OFF)
SDNR	ON
Gain Control	AUTO / MANUAL
Sense Up	Max. X32(x2, x4, x8, x16, x32)
Test Illumination	Average test illuminance by front view
Power Supply	Regulated 12V DC or 24V AC
Current Consumption	Max, 500mA(at 12V DC) / LED ON Max, 510mA(at 24V AC) / LED ON
Reverse Polarity Protection	Built-in
Lens	Fixed focal lens / Vari focal lens
Operation Temp.	-10 ~ 50°C
Preservation Temp.	-20 ~ 60°C
Dimension	∅150,5X 95,6(H)mm
Weight	Approx. 800g

※ All specification is subject to change without notice to improve the quality.

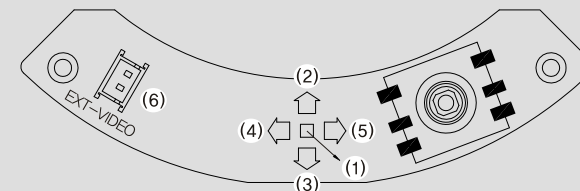
● FUNCTION SETTING

· OSD Menu structure

OSD MENU	FUNCTION	SUMMARY	
PRESET		※ Preset mode for common applications to speed up Installations.	
	INDOOR	For indoor	
	OUTDOOR	For outdoor	
	WINDOW	Maximizing WDR function	
	FLK	This mode is suitable for flicker	
	USER	Setup the environment by user	
EXPOSURE	AGC	User can adjust desired AGC level	
	DC GAIN	User can control the IRIS	
	SENSE UP	Sense up levels are selectable - ESS : Selectable between x2 ~ x32 - NON_ESS : No use sense up mode	
	TURBO AGC	Increasing the gain on the screen if the camera working on the B/W mode	
WHITE BALANCE	ATW	Balances the color automatically depending on the source of light from 2,500°K ~ 9,500°K	
	AWC	Adjust white balance to the specific environment	
	MANUAL	Adjust the Red or Blue values to shift the color of the object	
WDR	WDR MODE	Although the subject has a bright light behind of it, you can see the subject clearly as well as background	
	WDR ZONE	You can get the clear subject image when a subject located to against bright light (4 area selectable)	
DAY & NIGHT	AUTO	The camera automatically detects lighting condition and selects the mode accordingly ※ Adjustable values are related with the AGC level.	
	COLOR	The picture is always displayed in Color	
	B/W	The picture is always displayed in Black and white	
IMAGE ADJUST	BRIGHTNESS	LIMIT 80 ~ 150 : Change the brightness of the screen	
	SHARPNESS	LIMIT -8 ~ 8 : Change the sharpness of the screen	
	GAMMA	AUTO	Change the value of gamma automatically (NTSC : 0.45, PAL : 0.36)
		Manual	Change the value of gamma manually
		OFF	No use gamma
	H/V FLIP	OFF	Normal image(No image inversion)
		HORIZ	Set a horizontal image inversion
VERT		Set a vertical image inversion	
	BOTH	Set horizontal and vertical image inversion	
RETURN	Save the value then move back to previous menu		
EXIT	Save the value and exit menu		
SPECIAL	LANGUAGE	Change the language on the OSD	
	ID SETUP	ID DISPLAY	Display the ID on the monitor screen or not
		CAMERA ID	User can change the ID text, Maximum length of the ID is limited 8 letters
	ID POSITION	Position is selectable on the fixed 5 locations	

SPECIAL	PRIVACY MASK	ON/OFF : Allow you to mask certain areas of the screen, support 12 privacy zone	
	RS-485	User can control the menu by using Pelco-D Protocol (2400BPS only) - CAMERA # : It is to select communication ID (1~255)	
	RESET	REBOOT SYSTEM	Reset the camera's power
		FACTORY SET	Return the value to the factory set
	RETURN	Save the value then move back to previous menu	
	EXIT	Save the value and exit menu	
SAVE/EXIT		Save the value and exit menu	

· How to use the jog lever



(1) ENTER

- Push the lever : Used to access the menu and confirm selection.
- Push the lever for one second : Open the menu or close the menu.

(2) Up, (3) Down

- Used to move the cursor to up or down.

(4) Left, (5) Right

- Used to move the cursor to left or right and change the value.

(6) EXT-VIDEO

- Extra video output terminal for installation. Plug your test monitor in here. The cable is option.

· When using control device through RS-485 protocol

(1) ENTER

- Push the IRIS OPEN key : Used to access the menu and confirm selection.
- Push the IRIS OPEN key for one second : Open or close the menu and use it to escape the setup in case of setting Privacy Zone or WDR Zone.

(2) Up · Down

- Move Joystick to up/down or push the arrow key(↑ , ↓)
- Used to move the cursor to up or down to choose the menu.

(3) Left · Right

- Move Joystick to left/right or push the arrow key(← , →)
- Used to move the cursor to left or right to change the value.

(4) IRIS CLOSE Key

- Use it to move out to previous menu.
- To escape the setup when setting the Privacy zone or WDR Zone.

〈Caution〉 Do not use the menu key on the controller.