

XtendLan MONCAR706

USER MANUAL



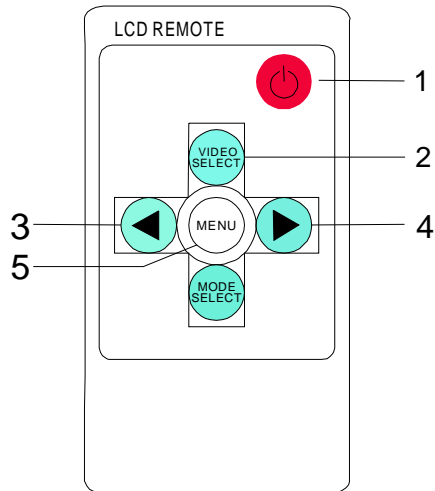
Please Read This Instruction Before Operating

Product Picture



1. Remoter Window
2. Simulation Increase/
Answer Incoming Call
3. Menu
4. Simulation Decrease/
Ignore Incoming Call/ End Call
5. V1/V2/Pairing
6. Power
7. Microphone

Remoter Function



1. Power
2. V1/V2
3. Simulation Decrease
4. Simulation Increase
5. Menu

1

Product Data

Display: 7 Inchs(16:9)

Power Consumption: 6W

Power: DC 12V

TV System: PAL/NTSC

(Switchable Automatically)

Definition: 480(W)*RGB*234(H)

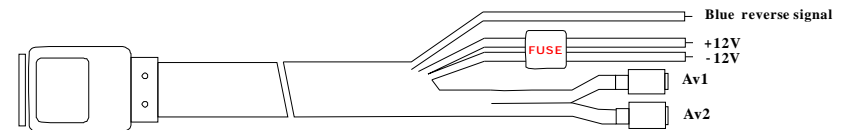
Video Input: Dual Video Inputs.

Blue Screen with “NO SIGNAL”,
V2 Working on Reversing Condition

(V2 Will be Switched Automatically from VCD/
DVD when Reversing Gear is Used,
And return to VCD/DVD after Parking).

This Product Will Turn On Itself Automatically
During Parking and Turn Off after parking.

Drawing



2

Operation:

- I. Turn on Monitor After Cable Connection. Following Picture Disappear Five Seconds later.



- II. Power on Bluetooth Function on Mobile. Press “Search” (on mobile) and “PARI”(on monitor) to find following picture on monitor.



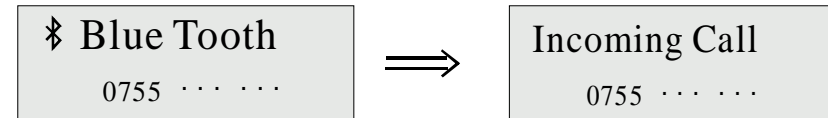
- III. CL-706H Appears on Mobile after successful scanning. Connection will start after “8888” Pass Code is inputted. Following picture appears after connection.



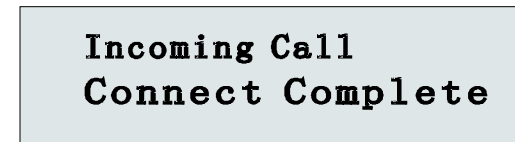
- IV. Connection successfully after “POOP” is Heard: Following picture Appears



- VI. Monitor will turn on automatically when call incoming. Press “OK” button to answer or “NO” to ignore.



- VII. The following picture would be appeared when after call is answered successfully. Monitor and Phone answering is switchable on pressing “POWER”.



- VIII. After finishing incoming call, following picture can be seen on screen. It shows that phone and monitor connection is also in the successful state.

