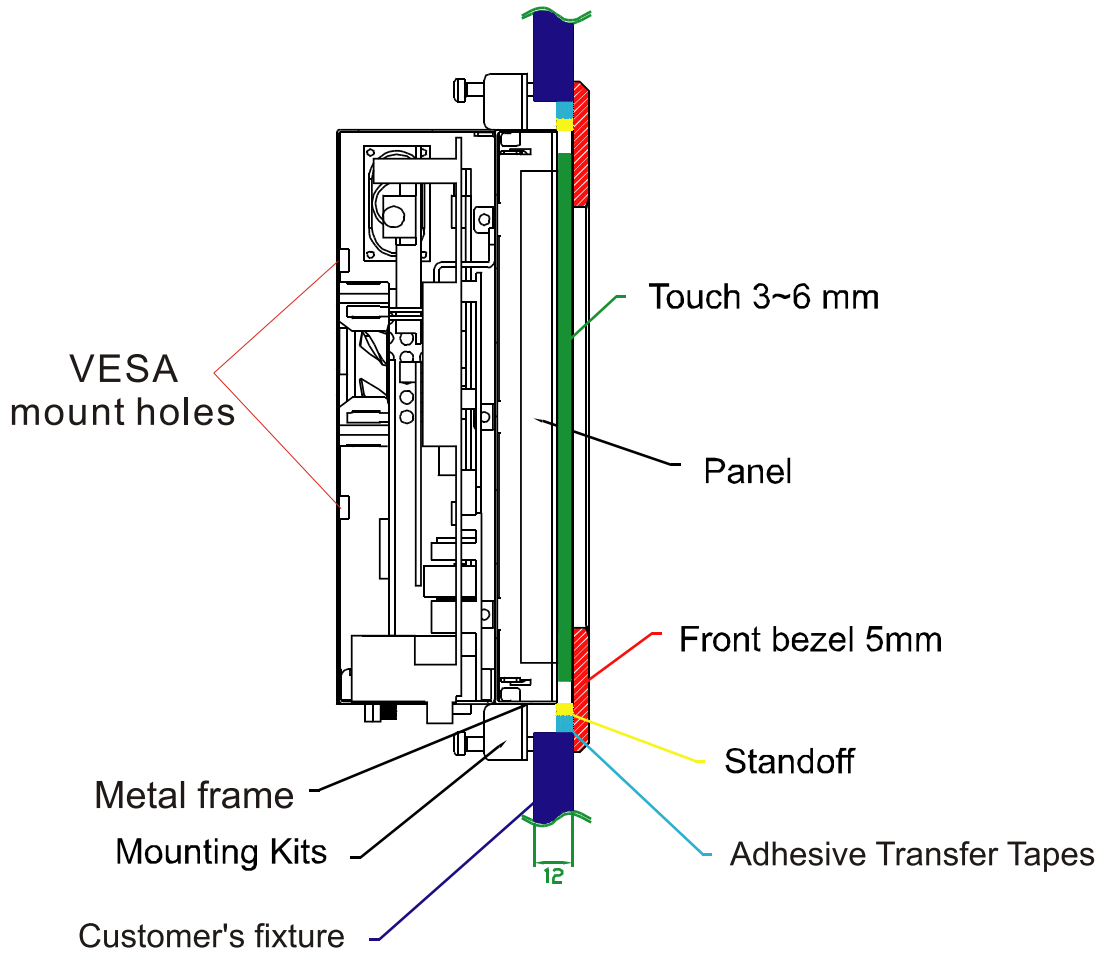


Mounting Guide

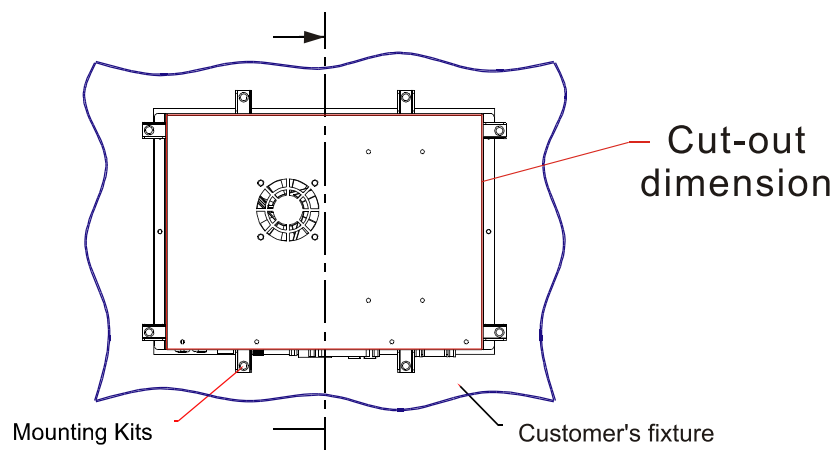
For 5mm Panel mount Panel PC

5mm Panel Mount Panel PC

- Panel is aligned with the same height of the front of open frame metal housing
- Touch/Glass is higher than Open frame metal housing.
- Customers can fix our Panel PC with their fixture(max.12mm).
- VESA mount holes are also available for mounting from back side.



SIDE VIEW

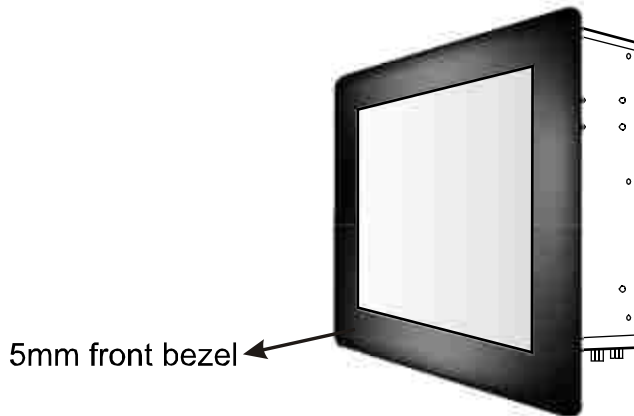


REAR VIEW

Mounting Guide

For 5mm Panel mount Panel PC

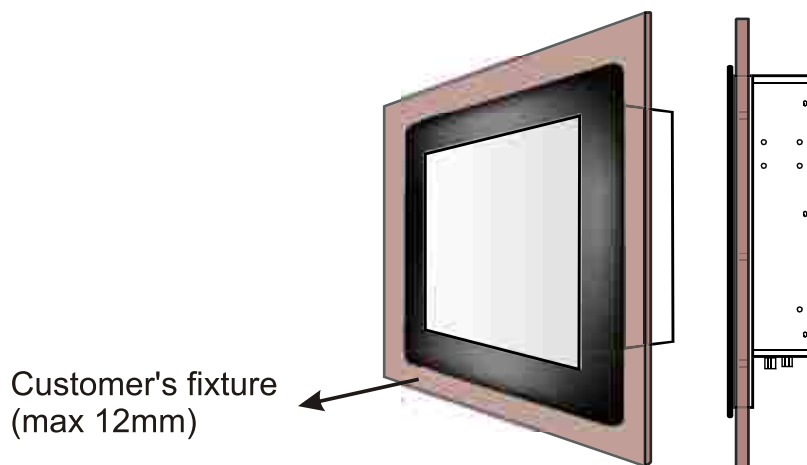
STEP 1



Panel Mount
(5mm front bezel)

(Front View)

STEP 2



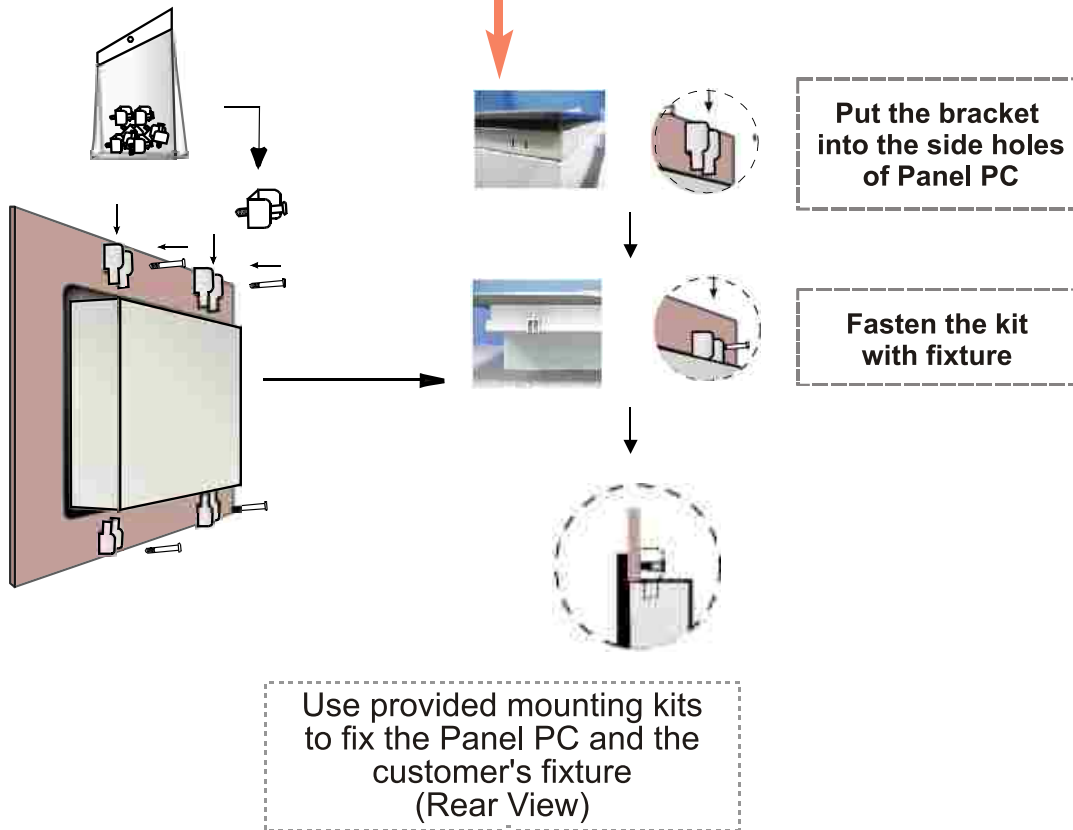
Put Panel PC on the fixture(wall,panel,...)
from the front,with the sides of
the front bezel shown on the outside

(Side View)

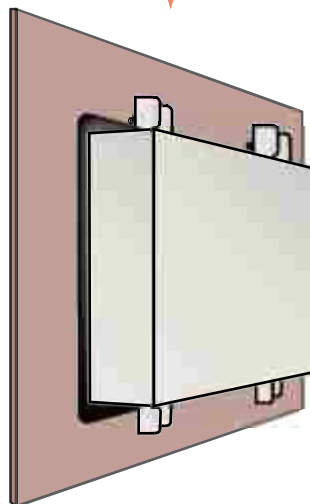
Mounting Guide

For 5mm Panel mount Panel PC

STEP 3



STEP 4



Finished

Mounting Guide

For 5mm Panel mount Panel PC

PANEL PC PM 5mm	
PANEL PC size	Mounting Kits(pcs)
6.4 "	4
6.5 "	4
8.4 "	8
10.4"	8
12.1"	10
15 "	12
17 "	12
19 "	14